



STAINLESS STEEL EVERYDAY BUFFET ICE-COOLED TABLES WITH OPEN BASE



Item #: _____ Qty #: _____
 Model #: _____
 Project #: _____

FEATURES:

- 4" Swivel Casters, with two brakes
- Double sided sneeze guard & side panels
- Fiberglass insulation
- Adapter bars for 12" x 20" food pans included

MATERIAL:

- TOP:** 18 gauge #304 stainless steel welded frame
- BODY:** 20 gauge steel available in matte black vinyl clad
- SNEEZE GUARD:** 1/4" Thermoplastic Polymer
- INSULATION:** Fiberglass insulation
- LINERS:** 8" deep, 18 Gauge stainless steel. Requires spillage pans, Add **Model # SP-A** (Aluminum) or **Model # SP-S** (S/S)

PLUMBING:

- 1" I.P.S. drain



B4-CPU-B Shown

Model	Length (L)	Inside Well (A)	Weight (lbs.)	Cubic Feet
B2-CPU-B	31-13/16"	27-5/16"	225	53
B3-CPU-B	47-1/8"	42-5/8"	250	76
B4-CPU-B	62-7/16"	58"	310	97
B5-CPU-B	77-3/4"	73-1/4"	350	119

Optional Accessories



Stationary Shelf



Drop-Down Shelf



Stationary Shelf



Drop-Down Shelf

10" Wide Stainless Steel Tray Shelves

STATIONARY DROP-DOWN

Model	Model	Length	Approx Wt.	Cu. ft.
TTS-2	TTS-2D	31.8125"	14 lbs.	3
TTS-3	TTS-3D	47.125"	16 lbs.	4
TTS-4	TTS-4D	62.4375"	18lbs.	5
TTS-5	TTS-5D	77.75"	21 lbs.	6

Visit our website
for more
Everyday Buffet
Accessories!

10" Wide Stainless Steel Tray Rails

STATIONARY DROP-DOWN

Model	Model	Length	Approx Wt.	Cu. ft.
TTR-2	TTR-2D	31.8125"	14 lbs.	3
TTR-3	TTR-3D	47.125"	16 lbs.	4
TTR-4	TTR-4D	62.4375"	18lbs.	5
TTR-5	TTR-5D	77.75"	21 lbs.	6



Customer Service Available To Assist You 1-800-645-3166 8:30 am - 8:00 pm E.S.T.

For Orders & Customer Service:

Email: customer@advancetabco.com or Fax: 631-242-6900

For Smart Fabrication™ Quotes:

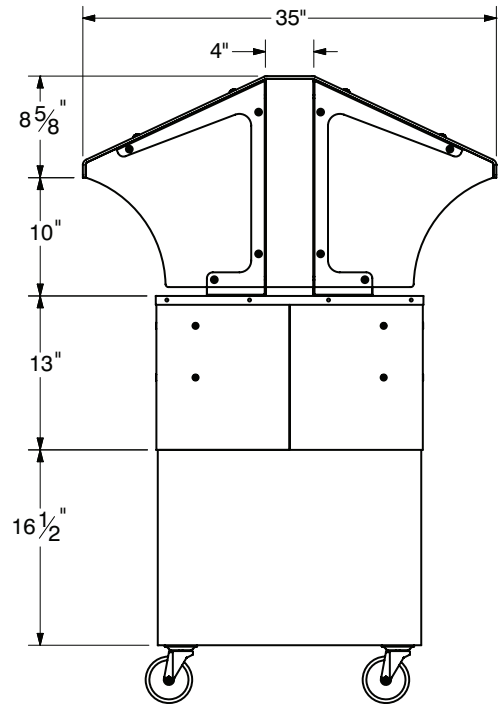
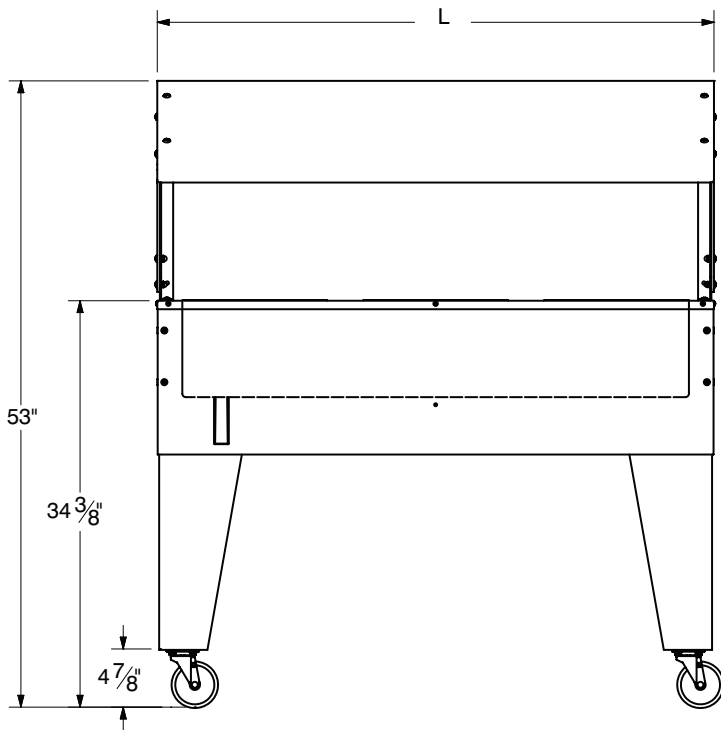
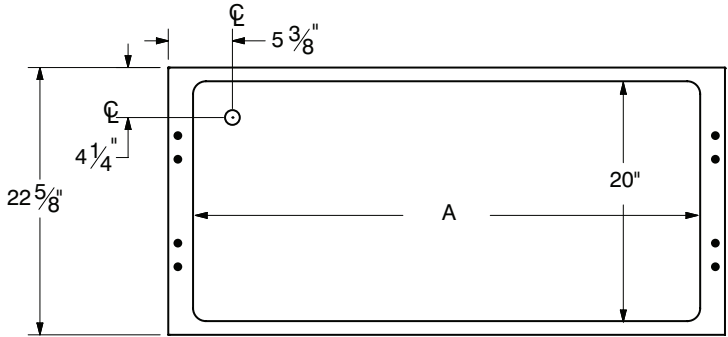
Email: smartfab@advancetabco.com or Fax: 631-586-2933

REF-X

DIMENSIONS and SPECIFICATIONS

TOL $\pm .125"$

ALL DIMENSIONS ARE TYPICAL



REF-X

200 Heartland Boulevard, Edgewood, NY 11717-8380

A City Discount

ADVANCE TABCO is constantly engaged in a program of improving our products. Therefore, we reserve the right to change specifications without prior notice.

© ADVANCE TABCO, JULY 2015