

# Bus Boy

by NEMCO

Commercial Food Waste  
Disposer Systems

Job \_\_\_\_\_ Item# \_\_\_\_\_

## Commercial Disposer Model 4000 - 3 hp



### Application

The Bus Boy Model 4000 - 3 hp disposer is designed for use in large food service operations with extremely heavy bulky waste.

### Motor

Dual-directional 3 hp, totally enclosed for maximum protection against moisture. Fan-cooled with integral thermal overload protection. Dual voltage motors available in three phase 208/220/440 volts, 60 cycle. No single phase motors available.

### Motor Data

Model 4000 - 3 hp - 1725 rpm  
(60 cycle).

**Three Phase Only:** 208/220/440  
Volts, 10.7/6.0 Amps. Overload  
Protection in Motor.

### Motor Shaft Seals

Dual independent motor shaft seal provides double protection of motor from water damage.

### Hopper

Corrosion-resistant with auxiliary water inlet. 6" throat opening.

### Grinding Table

10<sup>7</sup>/<sub>8</sub>" diameter, dynamically balanced cast chrome alloy, heat treated to 56-58 Rockwell C. Four permanently affixed impact lugs. Precision-ground to a tolerance of .005" to grinding sleeve for maximum grind ability.

### Grinding Sleeve

10<sup>7</sup>/<sub>8</sub>" diameter, cast chrome alloy, heat treated to 58-60 Rockwell C. Sixteen permanently affixed primary breakup lugs and 48 precision grinding teeth.

### Waste Outlet

Waste outlet pipe size is 3".

### Mounting Assemblies

See reverse page. Cones - 15" or 18" diameter, stainless steel. Sink or trough adapter flange, stainless steel 6" diameter. All mounting assemblies include specially-designed neoprene silencer which isolates disposers from metal-to-metal contact, absorbs vibration and greatly reduces noise level.

### Adapters

Available for replacing other manufacturers' units with Bus Boy.

### Agency Data

Bus Boy Model 4000 - 3 hp is Underwriters' Laboratories, Inc. listed.

### Warranty

Warranted for one year covering parts and labor. All installations MUST be made in accordance with applicable local codes.

### Approximate Weight

200 lbs. shipping.

### Accessories

Consult Price List for Accessories, Cut-Down and Alternate Hoppers.

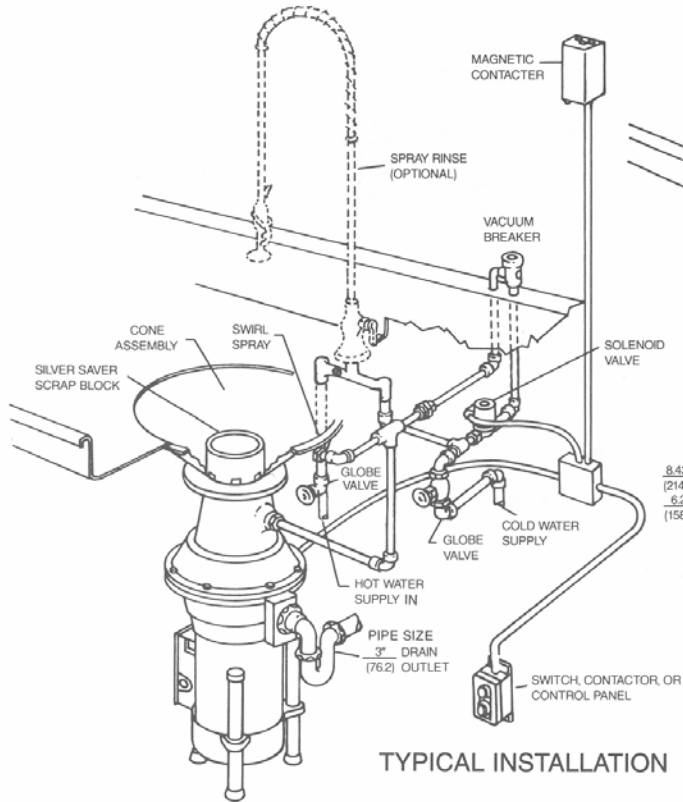


NEMCO FOOD EQUIPMENT  
301 Meuse Argonne • Hicksville, OH 43526 USA  
Phone (419) 542-7751 • Fax (419) 542-6690

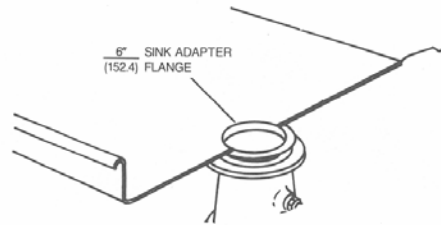
# Commerical Disposer Model 4000 - 3 hp

We reserve the right to change specifications and product design without notice. Such revisions do not entitle the buyer to corresponding changes, improvements, additions or replacements for previously purchased equipment.

NOTE: ALL FIGURES IN PARENTHESES ARE IN MILLIMETERS

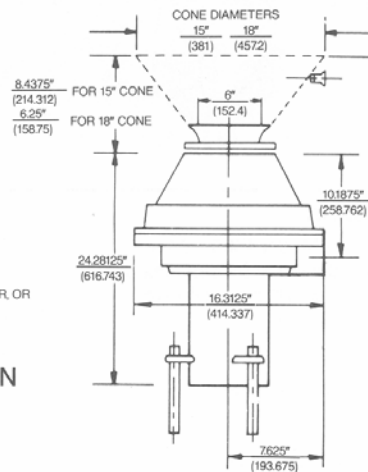


TYPICAL INSTALLATION



INSTALLATION

### MODEL 4000—DIMENSIONAL INFORMATION



**Bus Boy**

by NEMCO  
Printed in U.S.A.

11/97

NEMCO FOOD EQUIPMENT  
301 Meuse Argonne  
Hicksville, OH 43526 USA