

## Portable CamBar®

### 650 Series

- Models BAR650CP – Basic System
- BAR650DSCP – Basic System (Designer Decor)
- BAR650DX – Pre-Mix System
- BAR650DSDX – Pre-Mix System (Designer Decor)

#### Features & Benefits

- Engineered to fit in standard elevators to be easily moved between locations. Ideal for suites and smaller gatherings.
- Molded high-density polyethylene is impact resistant and easy to clean. Won't dent, crack, rust, chip or break.
- Reinforced aluminum chassis and polyurethane structural foam core ensures unsurpassed strength.
- One ice sink, 80 lbs. (36,3 kg) capacity with slide back cover for optimum sanitation.
- Four each 6" (15,24 cm) swivel casters, two with brakes, for smooth transport across carpet, cement or grass.
- Unique detachable front lifts off, giving complete access to all storage areas for inventory and cleaning or routing soda lines, tubes and hoses.
- Oversized seven-bottle speed rail with towel grips is standard with all models. Detaches for easy cleaning. Built-in partitions keep bottles separated to prevent breakage.
- Sealed-in eight-circuit patented cold plate has unique "roof top" design that directs melted water immediately into drainage channels and into the waste-water bin. Keeps ice colder longer.
- Circuit exposure through cold plate chills liquids dispensed from the soda gun.
- Premium quality Wunder-Bar® 5-button pre-mix soda gun offers fast, low foaming delivery.
- Non-electric.
- No assembly required.
- Available in 10 color and decor combinations.
- Designer Series offers a decorative counter, front and side panels for an upgraded appearance. Panels are made from thermoformed ABS plastic with a clear finish for UV, scratch and chemical resistance. Counter is a granite pattern over a fiberglass composite structure.
- Requires customer installation of Pre-Mix soda gun system.
- BAR650DX/ BAR650DSSDX includes: Deluxe model with one 5-button Wunder-Bar gun, one sealed-in cold plate, one CO<sub>2</sub> regulator and gauge, one CO<sub>2</sub> clamp and chain, one speed rail, one waste water bin, one retainer strap, and one each 80 lbs. (36,3 kg) ice sink and cover.
- BAR650CP/ BAR650DSCP includes: One sealed-in cold plate, one CO<sub>2</sub> chain, one speed rail, one waste water bin, one retainer strap, and one each 80 lbs. (36,3 kg) ice sink and cover.

Item No. \_\_\_\_\_

Specifier Identification No. \_\_\_\_\_

Model No. \_\_\_\_\_

Quantity \_\_\_\_\_



**BAR650DSDX**



Premium quality 5-button, post-mix soda gun by Wunder-Bar with fast, low foaming delivery.



Exclusive Cold Plate Patented "roof top" design. U.S. Patent 5,743,602.

#### Designer Decor Colors



**Manhattan (667)**  
Black base and coal countertop with brushed pewter panels.



**Sedona (668)**  
Granite sand base and cocoa countertop with light burlwood panels.



**Carmel (669)**  
Black base and coal countertop with dark burlwood panels.



**Chicago (770)**  
Black base and coal countertop with smooth brushed pewter panels.

# Portable CamBar®

## 650 Series

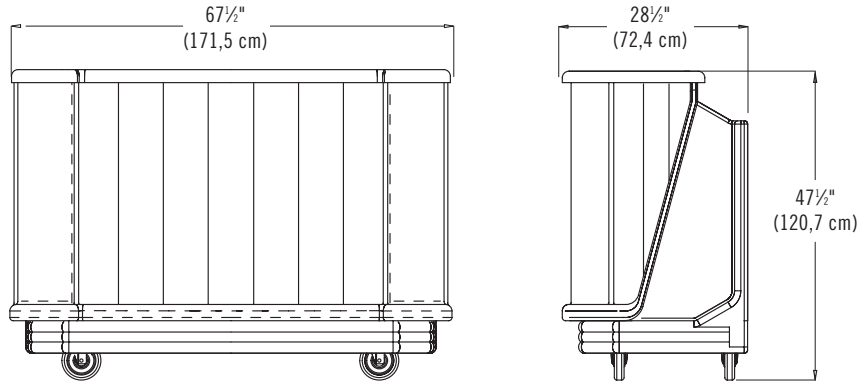
Models BAR650CP – Basic System  
 BAR650DSCP – Basic System (Designer Decor)  
 BAR650DX – Pre-Mix System  
 BAR650DSDX – Pre-Mix System (Designer Decor)

Item No. \_\_\_\_\_

Specifier Identification No. \_\_\_\_\_

Model No. \_\_\_\_\_

Quantity \_\_\_\_\_



BAR650CP / BAR650DSCP / BAR650DX / BAR650DSDX

## Specifications

Dimension Tolerance: +/- 1/4" (0,64 cm)

Code	Description	Overall Dimensions L x D x H	Unit Weight lbs. / kg	Case lbs. (Cube)/ Case kg. (M³)
BAR650DX	One Pre-mix system equipped for 5-gallon (18,9 L) soda canisters	67½" x 28½" x 47½" (171,5 x 72,4 x 120,7 cm)	264.42 / 119,9	294 (52.88) 133,4 (1,5)
BAR650DSDX	One Pre-mix system equipped for 5-gallon (18,9 L) soda canisters (Designer Decor Color)	67½" x 28½" x 47½" (171,5 x 72,4 x 120,7 cm)	311.42 / 141,3	341 (52.88) 154,7 (1,5)
BAR650CP	One system partially equipped for soda service	67½" x 28½" x 47½" (171,5 x 72,4 x 120,7 cm)	284.42 / 129	314 (52.88) 142,4 (1,5)
BAR650DSCP	One system partially equipped for soda service (Designer Decor Color)	67½" x 28½" x 47½" (171,5 x 72,4 x 120,7 cm)	296.42 / 134,5	326 (52.88) 147,9 (1,5)

## Optional Accessories

- Wire Shelving  650WS
- Retaining Strap  730STP (1 each with CamBar)
- Retaining Chain for CO<sub>2</sub> Canisters  730CHN (1 each with CamBar)
- Seven-Bottle Speed Rail  730SR (1 each with CamBar)
- Five-Bottle Speed Rail  BAR54SR (1 each with CamBar)

## Standard Colors

- Black (110)
- Granite Gray (191)
- Granite Sand (194)
- Two-Tone Brown Mahogany (189)
- Granite Gray with Black Base (420)
- Granite Green with Black Base (421)

## Speed Rail Colors (If ordered separately from CamBar.)

- Black (110)
- Gray (180)\*
- Slate Blue (401)\*
- Dark Brown (131)
- Granite Gray (191)
- Coffee Beige (157)\*
- Granite Sand (194)

\*Colors only available for BAR54SR.

## Designer Decor Colors

- Manhattan (667)
- Carmel (669)
- Sedona (668)
- Chicago (770)

## Architect Specs

The pre-mix portable bar shall be a CamBar650 Series, manufactured by Cambro Mfg. Co., Huntington Beach, CA 92648 U.S.A. It shall be a Cambro Model constructed of molded high-density polyethylene and foam-injected polyurethane with a built-in bumper. It shall have an access passage in the middle compartment for a water line or electrical cord. It shall have 4 each 6" (15,24 cm) swivel casters, 2 with brakes, on an aluminum chassis. It shall be available with a premium 5-button Wunder-Bar® pre-mix soda gun, sealed-in 8-circuit "roof top" design cold plate and CO<sub>2</sub> regulator and gauge, CO<sub>2</sub> clamp and chain. It shall have an oversized, 7-bottle partitioned speed rail with towel grips, a waste-water bin and an 80 lbs. (36,3 kg) ice sink and slide-back cover. It shall have 1 retainer strap and 1 vinyl cover. It shall have a detachable front that lifts off. All models shall be available in 10 color and decor combinations.