

Portable Cambar® Designer Series

730 Designer Series

Pre-Mix

Domestic Models

- BAR730DSDX - Pre-Mix
- BAR730DSCP - Cold Plate
- BAR730DS - Base Model

Features & Benefits

- Perfect for banquets and outdoor events. Self-contained system works in a lobby, banquet room or pool side event.
- Decorative counter and front and side panels for upgraded appearance to fit in any decor. Panels are made from a thermoformed ABS plastic with a clear finish for UV, scratch and chemical resistance. Counter is a granite pattern over a fiberglass composite structure.
- Unique detachable front lifts off, giving complete access to all storage areas for inventory and cleaning or routing soda lines, tubes and hoses.
- Sealed-in eight-circuit cold plate has unique "roof top" design that directs melted water immediately into drainage channels and into the waste water bin. Keeps ice colder longer.
- Premium quality Wunder-Bar® 6-button pre-mix soda gun offers fast, low foaming delivery. Gun holster and overflow drain can be mounted on left or right side of sink. (Standard factory mounting is on the left side.)
- Oversized 7-bottle speed rail with towel grips is standard with all models. Detaches for easy cleaning. Built-in partitions keep bottles separated to prevent breakage.
- BAR730DSDX includes:
 - Deluxe model with one 6-button Wunder-Bar® gun, 1 sealed-in cold plate, 1 CO₂ chain, 1 speed rail, 1 waste water bin, 2 retainer straps, and 1 each 80 lb. (37 Kg.) center ice sink and cover.
- BAR730DSCP includes:
 - One sealed-in cold plate, 1 CO₂ chain, 1 speed rail, 1 waste water bin, 2 retainer straps, and 1 each 80 lb. (37 Kg.) center ice sink and cover.
- BAR730DS includes:
 - One speed rail, 1 waste water bin, 2 retainer straps, and 1 each 80 lb. (37 Kg.) center ice sink and cover.
- Ample side storage areas will hold 8 pre-mix canisters or 4 cases of cans or bottles.
- Molded high-density polyethylene is impact resistant and easy to clean. Won't dent, crack, rust, chip or break.
- Reinforced aluminum chassis and polyurethane structural foam core ensures unsurpassed strength.
- One center ice sink, 80 lb. (37 Kg.) capacity with slide back cover for optimum sanitation.
- Four each 6" (15,2 cm) swivel casters, 2 w/ brakes, for smooth transport across carpet, cement or grass.
- Non-electrical.
- Minimal assembly required.
- Available in 3 decor combinations.

Item No. _____

Specifier Identification No. _____

Model No. _____

Quantity _____



BAR730DSDX
(Shown with optional Wire Shelving)



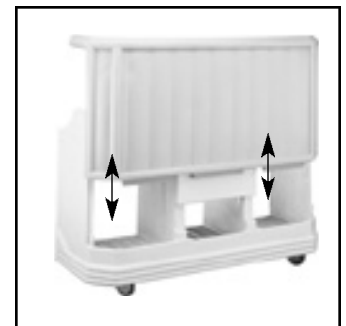
Manhattan Decor Combination (667)



Carmel Decor Combination (669)



Premium quality 6-button, pre-mix soda gun by Wunder-Bar®.



Detachable front for easy access to inventory and routing lines, tubes and hoses.

Approvals



Portable Cambar® Designer Series

730 Designer Series

Pre-Mix

Domestic Models

BAR730DSDX - Pre-Mix

BAR730DSCP - Cold Plate

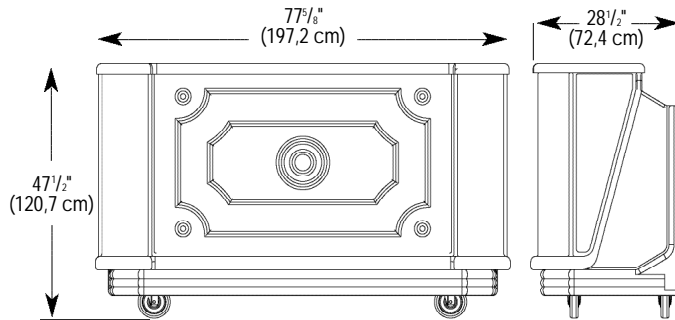
BAR730DS - Base Model

Item No. _____

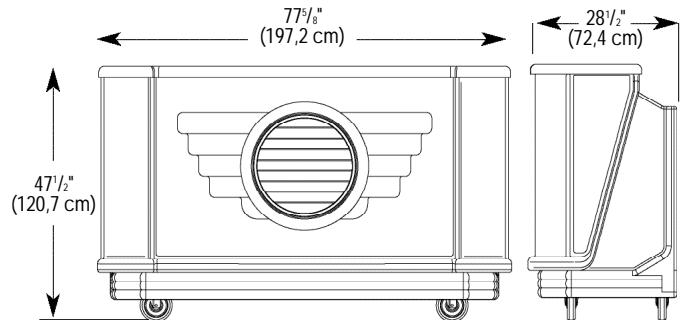
Specifier Identification No. _____

Model No. _____

Quantity _____



Sedona and Carmel Decor Packages
Front Panel Design



Manhattan Decor Package
Front Panel Design

BAR730DSDX / BAR730DSCP / BAR730DS

Specifications

Dimension Tolerance: +/- 1/4" (0,64 cm)

Code	Description	Overall Dimensions L x W x H	Case lbs./cube Kg/m ³
BAR730DSDX	Deluxe model with one 6-button Wunder-Bar® gun, 1 sealed-in cold plate, 1 CO ₂ chain, 1 7-bottle speed rail, 1 waste water bin, 2 retainer straps, 1 each 80 lb. (37 Kg.) center ice sink and cover and decorative counter and front and side panels.	77 1/8" x 28 1/2" x 47 1/2" (197,2 x 72,4 x 120,7 cm)	338 (67,02) 153,3 (1,90)
BAR730DSCP	1 sealed-in cold plate, 1 CO ₂ chain, 1 7-bottle speed rail, 1 waste water bin, 2 retainer straps, 1 each 80 lb. (37 Kg.) center ice sink and cover and decorative counter and front and side panels.	77 1/8" x 28 1/2" x 47 1/2" (197,2 x 72,4 x 120,7 cm)	328 (67,02) 148,8 (1,90)
BAR730DS	1 7-bottle speed rail, 1 waste water bin, 2 retainer straps, 1 each 80 lb. (37 Kg.) center ice sink and cover and decorative counter and front and side panels.	77 1/8" x 28 1/2" x 47 1/2" (197,2 x 72,4 x 120,7 cm)	295 (67,02) 133,8 (1,90)

Optional Accessories

- Wire Shelving 730WS
- Retaining Strap 730STP (2 each with Cambar)
- Retaining Chain for CO₂ canisters 730CHN (1 each with Cambar)
- 7-Bottle Speed Rail 730SR (1 each with Cambar)

Standard Colors

- Manhattan - Black base, Coal countertop and Brushed Pewter panels (667)
- Sedona - Granite Sand base, Cocoa countertop and Light Burlwood panels (668)
- Carmel - Black base, Coal countertop and Dark Burlwood panels (669)

Architect Specs

The pre-mix designer series portable bar shall be a Cambar730 Designer Series, manufactured by Cambro Mfg. Co., Huntington Beach, CA 92648 U.S.A. It shall be a Cambro Model... It shall be constructed of molded high-density polyethylene and foam-injected polyurethane with a built-in bumper and have a decorative counter and front and side panels. It shall have an access passage in the middle compartment for a water line or electrical cord. It shall have a step-down drink preparation area that can be fit with 2 glass rail mats.

It shall have 4 each 6" (15,2 cm) swivel casters, 2 w/ brakes, on a molded-in aluminum chassis. It shall be available with a Premium 6-button Wunder-Bar® pre-mix soda gun, sealed-in 8-circuit "roof top" design cold plate and CO₂ chain. It shall have an oversized, 7-bottle partitioned speed rail with towel grips, a waste-water bin and an 80 lb (37 Kg.) center ice sink and slide-back cover. It shall have 2 retainer straps. It shall have a detachable front that lifts off. All models shall be available in three decor combinations.

Approvals



© 2002 Cambro Manufacturing Company 5801 Skylab Road, Huntington Beach, California 92647-2056-U.S.A.
Telephone (1)714 848 1555 Toll Free 800 854 7631 Customer Service Hot Line 800 833 3003

Printed in USA

A City Discount