

Service Carts

Enclosed Side

Models BC330, BC3304S

Features & Benefits



- These sturdy carts are built to handle transporting prepared foods, table set up service or bussing boxes full of dirty dishware.
- Raised sides on the top work area prevent bus boxes from slipping off.
- Enclosed side conceals contents.
- One piece, molded high-density polyethylene construction is extremely durable and easy to clean.
- Foamed-in polyurethane insulation adds structural strength and reduces noise.
- Molded-in handle provides sturdy and controlled handling. Will not bend or break.
- Four 5" (12,7 cm) casters are bolted to molded-in metal plates to create quiet, easy transportation.
 - Model BC330 - 2 fixed, 2 swivel, 1 w/ brake
 - Model BC3304S - 4 swivel, 1 w/ brake
- Optional Removable 11 gallon (42 L) Trash Container and Catch-All Silverware Holder available.
- No assembly required.
- Available in 10 colors.

Item No. _____

Specifier Identification No. _____

Model No. _____

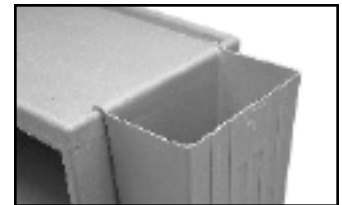
Quantity _____



BC330



Catch-All Silverware Holder



11 Gallon (42 L) Trash Container

Approvals



Service Carts

Item No. _____

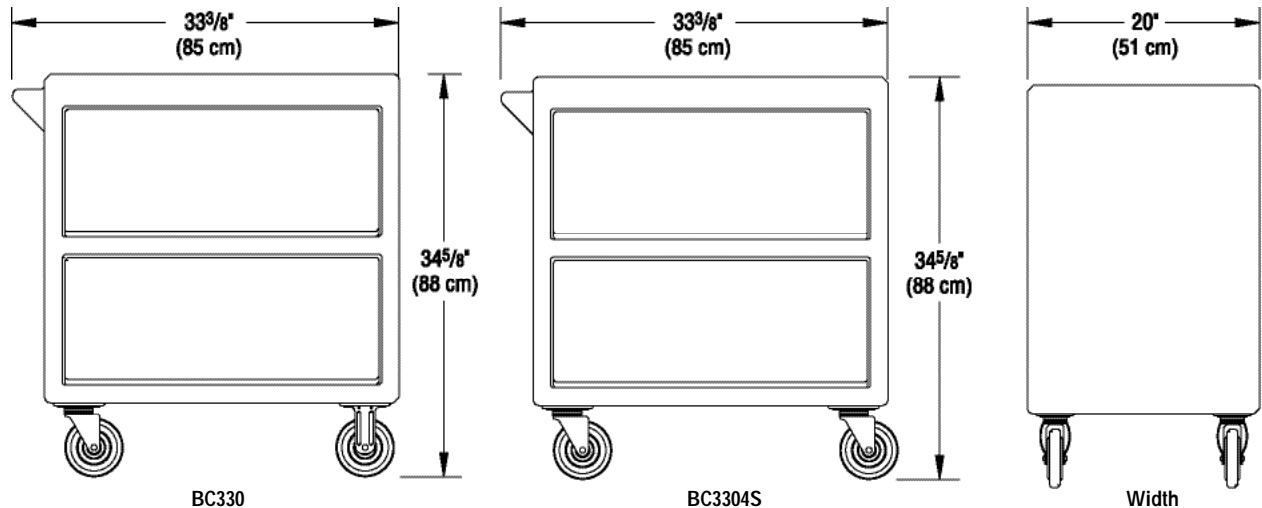
Enclosed Side

Specifier Identification No. _____

Models BC330, BC3304S

Model No. _____

Quantity _____



Specifications

Dimension Tolerance: +/- 1/4" (0,64 cm)

Code	Description	Load Capacity	Shelf Dimensions L x W x H	Exterior Dimensions L x W x H	Case lbs./cube Kg/m ³
BC330	Service Cart - Enclosed Side	500 lbs. (363 Kg.)	27" x 18 1/2" x 11 1/4" (69 x 47 x 29 cm)	33 3/8" x 20" x 34 5/8" (85 x 51 x 88 cm)	68 (15.35) 30 (0,4)
BC3304S	Service Cart - Enclosed Side	500 lbs. (363 Kg.)	27" x 18 1/2" x 11 1/4" (69 x 47 x 29 cm)	33 3/8" x 20" x 34 5/8" (85 x 51 x 88 cm)	68 (15.35) 30 (0,4)

Optional Accessories

- 11 Gal. (42 L) Trash Container BC11TC
- Catch-All Silverware Holder BC1115SH

Standard Colors

- Dusty Rose (400)
- Coffee Beige (157)
- Granite Gray (191)
- Granite Sand (194)
- Slate Blue (401)
- Gray (180)
- Granite Green (192)
- Dark Brown (131)
- Brick Red (402)
- Granite Red (193)

Architect Specs

The enclosed side Service Cart shall be Cambro Model..., manufactured by Cambro Mfg. Co., Huntington Beach, CA 92648 U.S.A. It shall be constructed of single-molded, double-wall, high density polyethylene and thick foam injected polyurethane. It shall have rounded corners and molded-in handles. It shall have raised sides on top to prevent bus boxes from slipping off. It shall have one open side for easy loading and unloading. It shall be available with 5" (12,7 cm) casters that are bolted into molded-in metal plates. The casters shall be available with 2 fixed, 2 swivel, 1 w/ brake or 4 swivel, 1 w/ brake. It shall be available with an optional removable 11 gallon (42 L) Trash Container and Catch-All Silverware Holder. It shall not require any assembly and shall be available in 10 colors.

Approvals

