

# BOTTLE COOLERS


## BC Series



### Perlick Features

- Heavy-Duty construction
- 2" foamed-in-place insulation provides energy savings and durability
- Revolutionary insulation that has zero ozone depletion potential and zero global warming potential
- Stainless steel interior standard
- Stainless or black vinyl coated exteriors
- Plug-in installation; no condensate plumbing required
- Quiet running, high efficient, balanced refrigeration system
- 24" front to back dimension matches depth of underbar stainless steel
- Reinforced door mullion will not bend or sag
- Dent resistant heavy gauge doors; locks optional
- Standard models factory set to approximately 38°F; Low temp models set to approximately 30°F
- Bottle opener and cap receiver optional

### MODELS

- BC24 SERIES
- BC24LT SERIES
- BC36 SERIES  †
- BC36LT SERIES
- BC48 SERIES
- BC48LT SERIES
- BC60 SERIES
- BC60LT SERIES
- BC72 SERIES
- BC72LT SERIES
- BC96 SERIES
- BC96LT SERIES

† BC36 Model Only



**BC24**

(shown with optional opener, receiver and casters)



**BC36**

(shown with optional casters)



**BC72**

(shown with optional opener, receiver and casters)



GENERATIONS OF  
EXCELLENCE

Form No. 130303  
Rev. 02.09.2012

**Perlick**

8300 West Good Hope Road • Milwaukee, WI 53223 • Phone 414.353.7060 • Fax 414.353.7069  
Toll Free 800.558.5592 • E-Mail perlick@perlick.com • www.perlick.com

# Size and Specifications

Bottle Coolers - BC Series

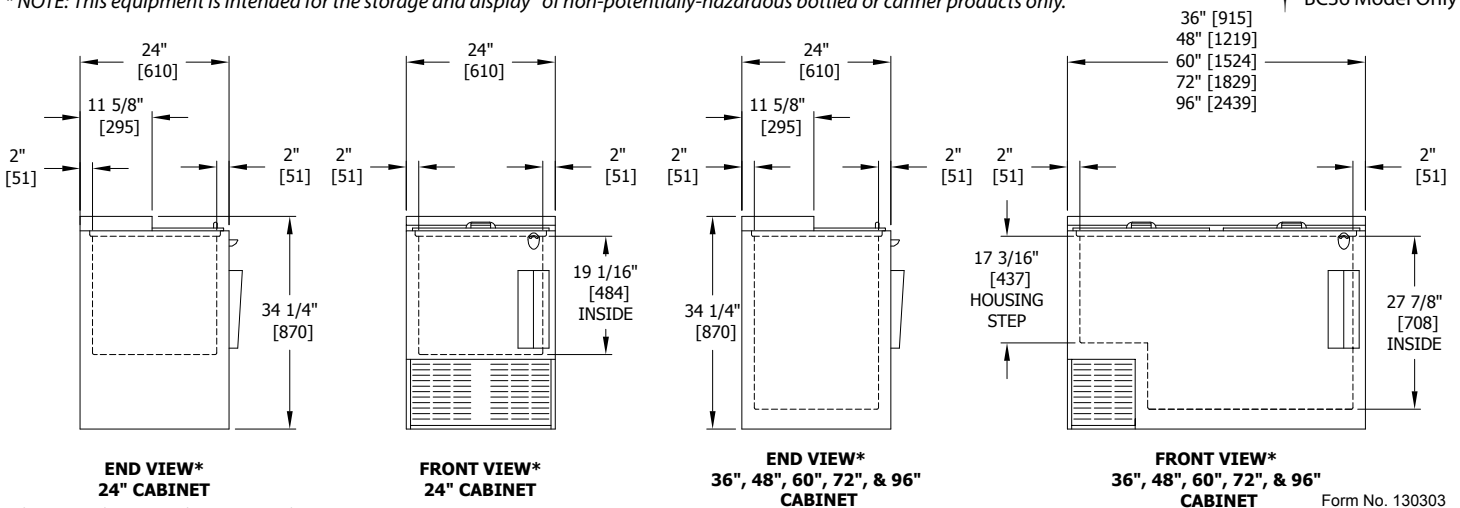


Job \_\_\_\_\_  
 Area \_\_\_\_\_  
 Item No. \_\_\_\_\_  
 Model No. \_\_\_\_\_

MODEL NO.	BC24/ BC24LT	BC36/ BC36LT	BC48/ BC48LT	BC60/ BC60LT	BC72/ BC72LT	BC96/ BC96LT	
CABINET DIMENSIONS	Length - Inches (mm)	24" (610)	36" (915)	48" (1219)	60" (1524)	72" (1829)	96" (2439)
	Depth - Inches (mm)	24" (610)	24" (610)	24" (610)	24" (610)	24" (610)	24" (610)
	Height - Inches (mm)	34-1/4" (870)	34-1/4" (870)	34-1/4" (870)	34-1/4" (870)	34-1/4" (870)	34-1/4" (870)
INTERIOR CUBIC FOOT (m <sup>3</sup> )	4.0 (.11)	7.6 (0.21)	12.6 (0.36)	16.5 (0.47)	20.6 (0.58)	28.7 (0.81)	
CASE CAPACITY (based on 12 oz. long neck bottle)	5.5	9.75	17.2	21	28.3	41	
CASE CAPACITY (based on 12 oz. cans)	7	16	25	30	36	58	
CONDENSER UNIT H.P.	1/5	1/5	1/4	1/3	1/3	1/3	
RUNNING LOAD - AMPS	3.2	3.0	5.2	7.0	6.9	7.6	
SHIP WT. Lbs. (kg)	190 (86)	245 (111)	300 (136)	353 (160)	405 (184)	515 (235)	
INTERIOR	All models have stainless steel walls and floor						
EXTERIOR	Choice of black, stainless steel and all stainless. All tops are stainless steel. <b>Black Option:</b> Front and ends are black vinyl coated steel, back and bottom are galvanized. <b>Stainless Steel Option:</b> Front and ends are stainless steel, back and bottom are galvanized. <b>All Stainless Option:</b> Front, ends, back and bottom are stainless steel.						
TEMPERATURE	Factory set at approximately 38°F for Standard models, 30°F for Low-temp models						
DOORS (SLIDING)	Stainless steel top and bottom pans. Die cast handle. Optional locks.						
REFRIGERATION	R134a capillary tube/type with hermetic condensing unit. Pulls out for service and cleaning. Low-temp models have automatic defrost						
ELECTRICAL	115V, 60Hz., 1 Phase AC. Furnished with 6 foot NEMA 5-15P rubber plug-in cord (115V model only). Also available in 230V, 50Hz., 1 Phase AC. Carries CE marking conformity, applies to models BC24-230, BC36-230 & BC48-230.						
PLUMBING	None required. Condensate evaporates automatically.						
INSULATION	2" Foamed-in-place polyurethane insulation						
VENTILATION	BC24 model is front vented, all other models require 2" clearance from wall either on left end or back of cabinet for proper air flow.						
OPTIONAL ACCESSORIES	<ul style="list-style-type: none"> <li>• Floor Racks</li> <li>• Bin Dividers</li> <li>• Interior light kit (installed)</li> <li>• Casters</li> <li>• Speed Rails</li> <li>• Adjustable Legs</li> <li>• Bottle opener and receiver</li> <li>• Wine Temperature (specify red or white)</li> <li>• Roller Basket Shelving</li> <li>• Interior Light</li> <li>• Door Locks</li> </ul>						

\*NOTE: This equipment is intended for the storage and display of non-potentially-hazardous bottled or canner products only.

† BC36 Model Only



Form No. 130303  
 Rev. 02.09.2012



8300 West Good Hope Road • Milwaukee, WI 53223 • Phone 414.353.7060 • Fax 414.353.7069  
 Toll Free 800.558.5592 • E-Mail perlick@perlick.com • www.perlick.com

Perlick is committed to continuous improvement. Therefore, we reserve the right to change specifications without prior notice