



Model BELM-30

Shall be a Southbend model \_\_\_\_\_, electrically heated skillet with manual tilt, c-CSA-us and NSF certified. The unit shall have a spring assisted stainless steel cover, with full width handle, no drip condensate guide and vent port with swing cover. The pan shall have a sloped front and be front hinged for easy tilting pour control and comes complete with a removable pour strainer. Pan is formed from 10 gauge stainless steel with a #4 finish exterior and polished interior with coved corners for easy cleaning. Cooking surface shall be 5/8" thick stainless steel clad plate ensuring even heat distribution over entire cooking surface. The pan shall be fitted with tubular heating elements clamped to the under side.

The pan shall be mounted on a heavy duty welded frame with stainless steel exterior supported by an all welded 1-5/8" (41 mm) stainless steel pipe frame with adjustable bullet feet and rear legs fitted with flange adjustable feet for securing to the floor. Unit shall have a permanently lubricated, self-contained gear box tilt mechanism to allow the pan to tilt forward for complete emptying of contents. The controls enclosure shall be designed to meet NEMA-2 and provide a degree of protection against dripping and light splashing and shall include a thermostat with OFF position and a range of 160°F - 445°F (71°C - 229°C) a thermostat indicator light, pan tilt switch that shuts elements off if tilted more than 5°, and high temperature cut-off set at 536°F (280°C).

MODEL	CAPACITY		
	kW	GALLON	LITER
BELM-30	12	30	114
BELM-40	18	40	152

**OPERATION SHALL BE BY:**

Electric heating elements equipped for operation on:

- 208 VAC, 1 phase, 50/60 Hz
- 208 VAC, 3 phase, 50/60 Hz
- 220 VAC, 1 phase, 50/60 Hz
- 220 VAC, 3 phase, 50/60 Hz
- 240 VAC, 1 phase, 50/60 Hz
- 240 VAC, 3 phase, 50/60 Hz
- 380/220 VAC, 3 phase, 50/60 Hz
- 415/240 VAC, 3 phase, 50/60 Hz

**OPTIONAL ITEMS AT EXTRA COST:**

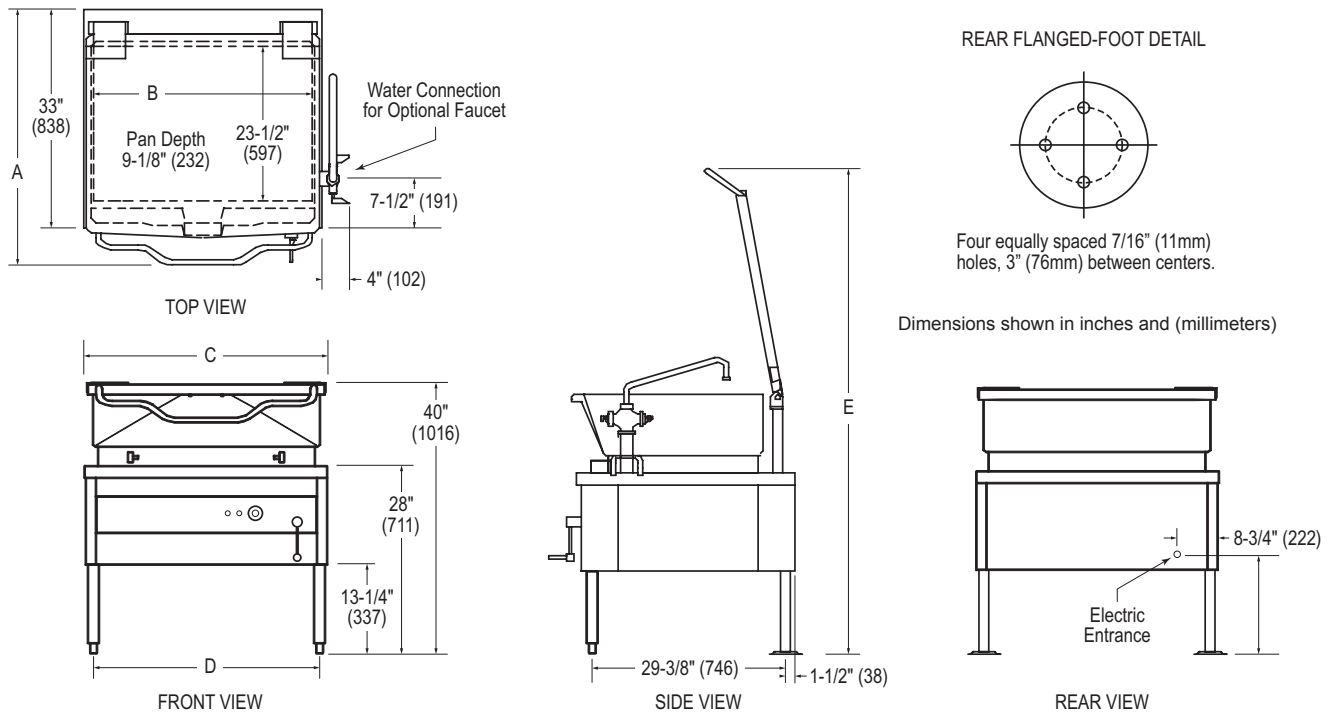
- 380 VAC, 3 phase, 50/60 Hz
- 415 VAC, 3 phase, 50/60 Hz
- 480 VAC, 3 phase, 50/60 Hz
- 600 VAC, 3 phase, 50/60 Hz
- Etched gallon markings (GMS-30, GMS-40)
- Etched liter markings (LMS-30, LMS-40)
- 2" draw off valve with strainer, side mounted (TVT-2BP)
- 3" draw off valve with strainer, side mounted (TVT-3BP)
- Correctional Package

**ACCESSORIES:**

- Pan carrier (PC-1)
- Steam pan insert (SPI-30, SPI-40)
- 12" Single pantry faucet with swing spout (SF-12)
- 12" Double pantry faucet with swing spout (DF-12)
- 3" Stainless steel faucet plumbing enclosure (3139-1)
- Single pantry faucet & bracket with 60" pot filler (SF-60)
- Double pantry faucet & bracket with 60" pot filler (DF-60)

Job \_\_\_\_\_  
Item# \_\_\_\_\_

Models:  BELM-30  BELM-40



**DIMENSIONS**

MODEL	CAPACITY	SHIPPING WEIGHT	UNITS	A	B	C	D	E	MINIMUM CLEARANCE	
BELM-30	30 Gallons (114 liters)	545 lbs. [247kg]	inches (millimeter)	38-7/8" (987 mm)	33-1/2" (851 mm)	36" (914 mm)	33-5/8" (854 mm)	71-3/8" (1813 mm)	SIDES	0
BELM-40	40 Gallons (152 liters)	710 lbs [322 kg]	inches (millimeter)	39-3/8" (1000 mm)	43-1/2" (1105 mm)	48" (1219 mm)	45-5/8" (1159 mm)	70-7/8" (1800 mm)	BACK	0

**UTILITY INFORMATION**

AMPS PER LINE									
MODEL	kW	PHASE	208V	220V	240V	380V	415V	480V	600V
BELM-30	12	1	57.7 A	54.5 A	50.0 A	N/A	N/A	N/A	N/A
		3	33.3 A	31.5 A	28.9 A	18.2 A	16.7 A	14.4 A	11.5 A
BELM-40	18	1	86.5 A	81.8 A	75.0 A	N/A	N/A	N/A	N/A
		3	50.0 A	47.2 A	43.3 A	27.3 A	25.0 A	21.7 A	17.3 A

**WATER:** Optional faucets require 3/8" (10mm) outside-diameter tubing connection to base of each faucet.

**INTENDED FOR COMMERCIAL USE ONLY.  
 NOT FOR HOUSEHOLD USE.**



1100 Old Honeycutt Road, Fuquay-Varina, NC 27526  
 (919) 762-1000 www.southbendnc.com