



# BEVERAGE-AIR

Project: \_\_\_\_\_

AIA#

Item: \_\_\_\_\_

Location: \_\_\_\_\_

SIS#

Approved: \_\_\_\_\_

## DD Draft Beer Equipment-Direct Draw Dispenser

DD24HC Solid Door  
Hydrocarbon Series

**MODELS:**  
DD24HC-1-B  
DD24HC-1-S

DD24HC Direct Draw Dispenser: Standard Models



DD24HC-1-B



DD24HC-1-S

**3 Year Parts/Labor Warranty**  
**Additional 2 Year Compressor Warranty**

### CABINET CONSTRUCTION

- Exterior is wear resistant vinyl on steel in black or stainless steel finish
- Top is made from heavy-duty stainless steel including drip tray
- Interior is galvanized steel on walls and ceiling, reinforced floor and doorsill are heavy duty stainless steel
- Full electronic control
- Drain tube located at bottom front of cooler for connection to floor drain
- Four-inch (4") heavy duty casters standard
- 3" Insulated dispensing tower
- Single draft arm
- Self-closing door with lock
- Magnetic gaskets provide positive door seal
- Field reversible door
- Compressor available on left or right, specify at time of unit order
- Maintains product temperatures between 36°F and 38°F

### OPTIONS & ACCESSORIES

- Wine models
- Wine taps
- Club top models available
- Leg accessory kits
- Faucet locks
- Glass rinser
- 1-4 Tap tower
- 2, 3 & 4 way manifolds
- Dial/digital thermometer
- Remote option

### REFRIGERATION SYSTEM

- Refrigeration system uses R290 refrigerant to comply with all environmental concerns
- Automatic, non-electric defrost
- Epoxy coated evaporator coil



3779 Champion Blvd., Winston-Salem, NC 27105  
1-888-845-9800 Fax: 1-336-245-6453  
Beverage-Air.com sales@bevair.com



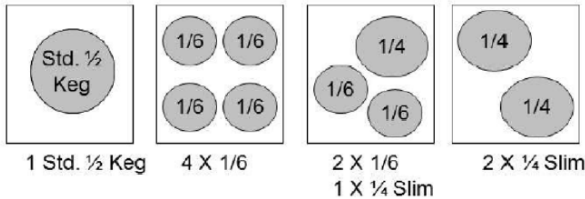
# BEVERAGE-AIR

## Bar Equipment-Direct Draw Beer Dispenser Solid Door

### Model DD24HC-1-B, DD24HC-1-S

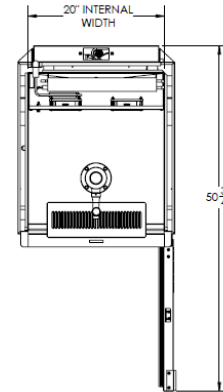
MODEL	DD24HC-1-B	DD24HC-1-S
<b>EXTERNAL DIMENSIONAL DATA</b>		
Width Overall	24"	24"
Depth Overall	30 1/8"	30 1/8"
Height Overall with 4" Casters & Tap	53"	53"
Number of Doors	1	1
Depth with Door Open 90°	50 3/4"	50 3/4"
<b>INTERNAL DIMENSIONAL DATA</b>		
NET Capacity (cubic ft.)	7.66	7.66
Internal Width Overall (in)	20"	20"
Internal Depth Overall (in)	22 1/4"	22 1/4"
Internal Height Overall (in)	23 1/2"	23 1/2"
Number of Kegs	1	1
<b>ELECTRICAL DATA</b>		
Full Load Amperes 115/60/1	2	2
<b>REFRIGERATION DATA</b>		
Horsepower	1/6	1/6
Capacity (BTU/Hr)*	993	993
<b>WEIGHT DATA</b>		
Gross Weight (Crated lbs)	174 lbs	184 lbs
Height - Crated	45"	46"
Width - Crated	31"	32"
Depth - Crated	28"	27"

BM23/DD24/DD36 KEG CAPACITY:

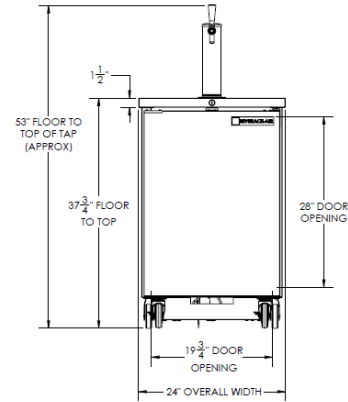


### Model Views

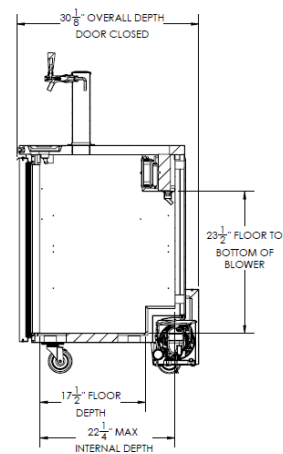
#### Plan View



#### Elevation View



#### Side View



### ELECTRICAL CONNECTION



115/60/1  
NEMA-5-15P

Units pre-wired at factory and include 8' long cord and plug set.



an Ali Group Company



The Spirit of Excellence

3779 Champion Blvd., Winston-Salem, NC 27105  
1-888-845-9800 Fax: 1-336-245-6453  
Beverage-Air.com sales@bevair.com