



# BEVERAGE-AIR

Project: \_\_\_\_\_

AIA#

Item: \_\_\_\_\_

Location: \_\_\_\_\_

SIS#

Approved: \_\_\_\_\_

## NC SLANT TOP BUNKERS

NC51HC Novelty Freezers

Hydrocarbon Series

**MODELS:**

**NC51HC-1**

NC51HC Novelty Freezer: Slant Top Bunkers

**3 Year Parts/Labor Warranty  
Additional 2 Year Compressor Warranty**

### CABINET CONSTRUCTION

- Exterior is white coated steel
- Interior is white powder coated surface
- Low energy consumption
- LED lighting
- Adjustable thermostat
- Operating temperature of -10°F
- Angle top design with LowE tempered glass lids
- Lids are easily removable with lid lock & keys standard
- Round exterior edges
- Integrated tag molding
- 2" heavy duty casters
- Drain plug for easy cleaning
- 5 Removable baskets, standard



**NC51HC-1**

### OPTIONS & ACCESSORIES

- 2 Ring Tub

### REFRIGERATION SYSTEM

- Refrigeration system uses R290 refrigerant to comply with all environmental concerns



3779 Champion Blvd., Winston-Salem, NC 27105  
1-888-845-9800 Fax: 1-336-245-6453  
Beverage-Air.com sales@bevair.com

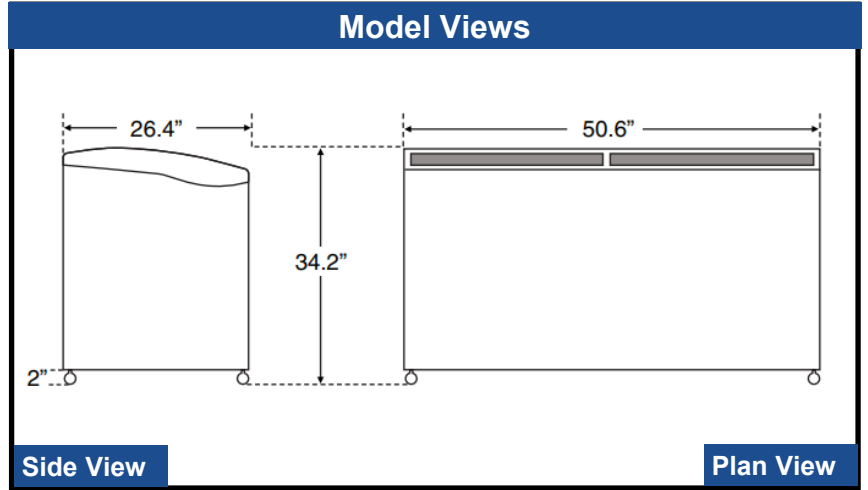


# BEVERAGE-AIR

## Slant Top Bunkers - Novelty Freezers

Models: NC51HC-1

MODEL	NC51HC-1
<b>EXTERNAL DIMENSIONAL DATA</b>	
Width Overall	50 3/5"
Depth Overall	26 2/5"
Height Overall	34 1/5"
Number of Lids	2
<b>INTERNAL DIMENSIONAL DATA</b>	
NET Capacity (cubic ft.)	13.19
Internal Width Overall (in)	44 1/10"
Internal Depth Overall (in)	19 1/2"
Internal Height Overall (in)	22 21/25"
<b>ELECTRICAL DATA</b>	
Full Load Amperes 115/60/1	3.5
<b>REFRIGERATION DATA</b>	
Horsepower	1/4
Energy Consumption	2.28 kw-hr/day
<b>WEIGHT DATA</b>	
Gross Weight (Crated lbs)	200 lbs
Height - Crated	40"
Width - Crated	52"
Depth - Crated	28"



### ELECTRICAL CONNECTION



115/60/1  
NEMA-5-15P

Units pre-wired at factory and include 8' long cord and plug set.



an Ali Group Company



The Spirit of Excellence

3779 Champion Blvd., Winston-Salem, NC 27105  
1-888-845-9800 Fax: 1-336-245-6453  
Beverage-Air.com sales@bevair.com