



# BEVERAGE-AIR

Project: \_\_\_\_\_

AIA#

Item: \_\_\_\_\_

Location: \_\_\_\_\_

SIS#

Approved: \_\_\_\_\_

## VM OPEN AIR-MERCHANDISER

### VM7 Open Air-Merchandiser

**MODEL:**

**VM7-1-B-LED**

**VM7-1-G-LED**

**VM7-1-W-LED**



**VM7-1-B-LED**



**VM7-1-W-LED**

**3 Year Parts/Labor Warranty**  
**Additional 2 Year Compressor Warranty**

### CABINET CONSTRUCTION

- Exterior is power coated galvanized metal available in black, grey or white
- Interior is painted steel for easy cleaning
- Electronic temperature control
- LowE double pane glass tempered thermal sides
- Foamed in place CFC free polyurethane insulation enhances the structural strength of the cabinet and helps increase energy efficiency
- Shelves included can be installed in 2 position for display flexibility
- Tag molding
- 6" Adjustable legs
- Night curtain comes standard and helps save energy and maintain cabinet temperature.
- Operating temperature 36°F - 40°F
- Intended for use in rooms having ambient condition or 75°F/55% humidity
- LED lighting standard

### OPTIONS & ACCESSORIES

- 5" Casters
- Bar/Bag hook
- Front Product display
- Side product display
- Lockable security cage

### REFRIGERATION SYSTEM

- Refrigerant is R134A
- Maintenance free condenser slides out for easy service
- Automatic defrost

VM VneMax Series: Open Air-Merchandiser



3779 Champion Blvd., Winston-Salem, NC 27105  
1-888-845-9800 Fax: 1-336-245-6453  
Beverage-Air.com sales@bevair.com

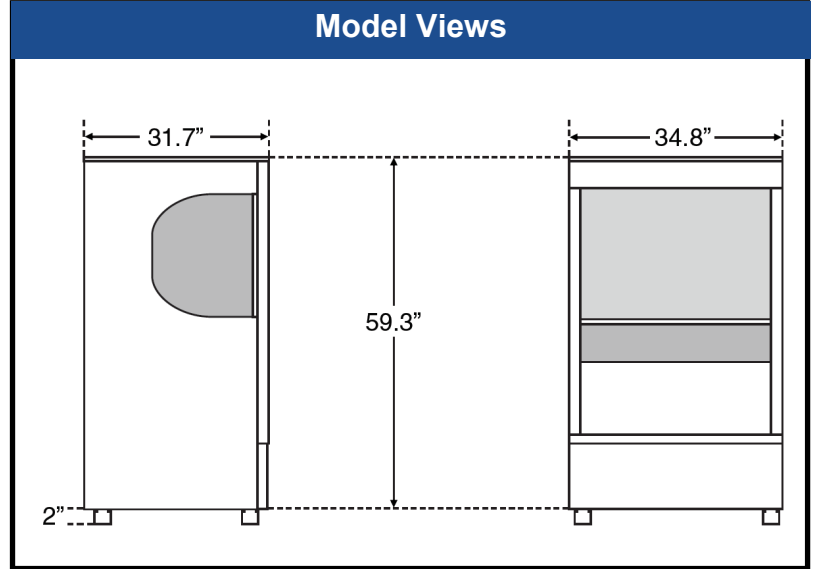


# BEVERAGE-AIR

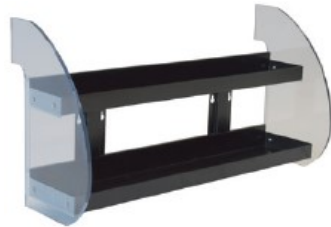
## Open Air-Merchandiser

Models: VM7-1-B-LED, VM7-1-G-LED, VM7-1-W-LED,

MODEL	VM7
<b>EXTERNAL DIMENSIONAL DATA</b>	
Width Overall	34 4/5"
Depth Overall	31 2/3"
Height Overall	59 2/7"
<b>INTERNAL DIMENSIONAL DATA</b>	
NET Capacity (cubic ft.)	9.58
Number of Shelves	3
<b>ELECTRICAL DATA</b>	
Full Load Amperes 120/60/1	7.5
<b>REFRIGERATION DATA</b>	
Horsepower	1/3
Energy Consumption	8.83 kw-hr/day
<b>WEIGHT DATA</b>	
Gross Weight (Crated lbs)	433 lbs
Height - Crated	63 1/9"
Width - Crated	39"
Depth - Crated	36 2/7"



Front Display



Side Display



Security Cage



### ELECTRICAL CONNECTION



Units pre-wired at factory and include 8' long cord and plug set.



an Ali Group Company



3779 Champion Blvd., Winston-Salem, NC 27105  
 1-888-845-9800 Fax: 1-336-245-6453  
 Beverage-Air.com sales@bevair.com