



# T&S BRASS AND BRONZE WORKS, INC.

2 Saddleback Cove / P.O. Box 1088  
Travelers Rest, SC 29690

Model No.

**BF-0299-LN**

Item No.

Travelers Rest, SC: 800-476-4103 • Simi Valley, CA: 800-423-0150 • Fax: 864-834-3518 • www.tsbrass.com

This Space for Architect/Engineer Approval

Job Name \_\_\_\_\_ Date \_\_\_\_\_

Model Specified \_\_\_\_\_ Quantity \_\_\_\_\_

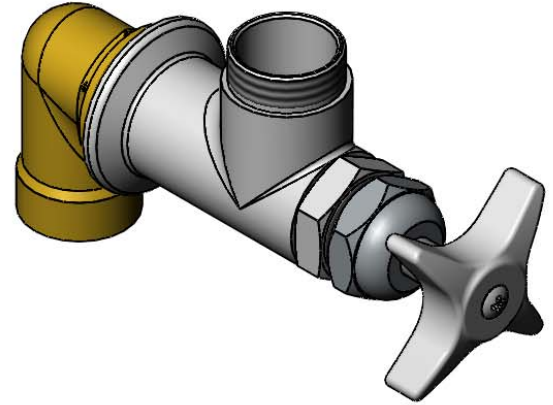
Customer/Wholesaler \_\_\_\_\_

Contractor \_\_\_\_\_

Architect/Engineer \_\_\_\_\_

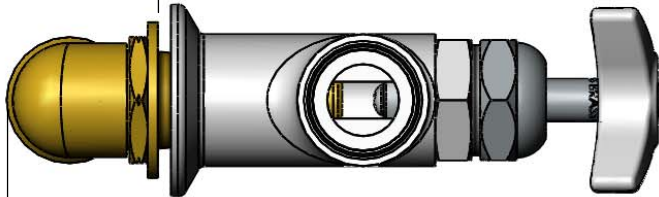


**ADA Compliant**



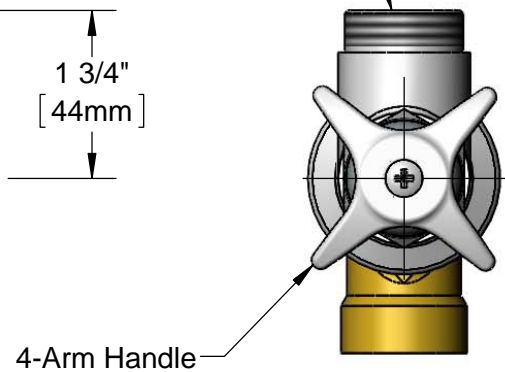
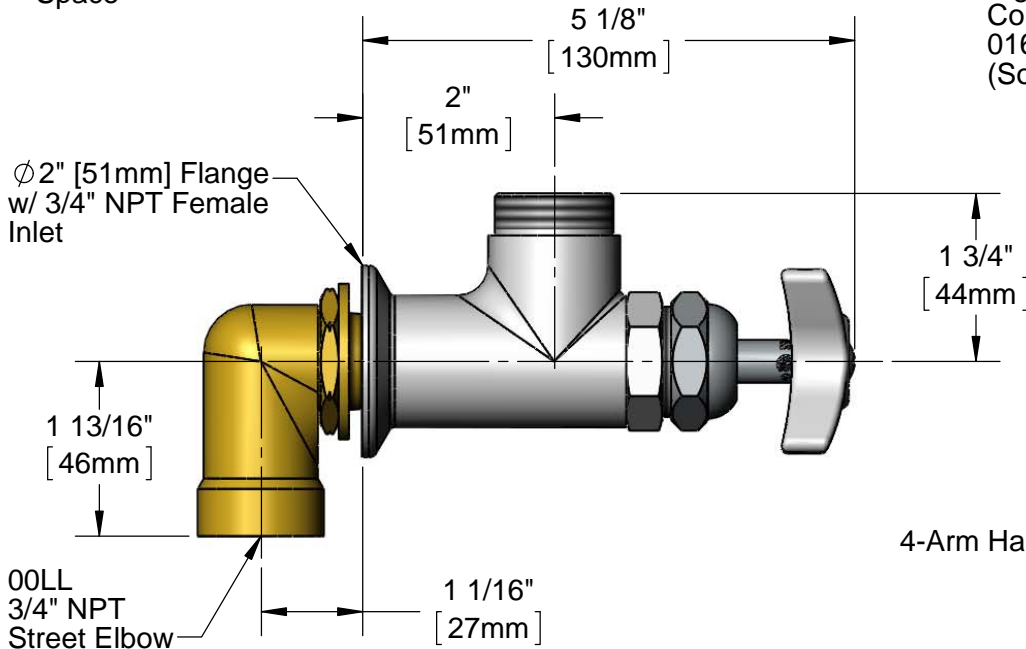
1/8"  
[4mm]  
Maximum  
Thickness

Mounting Surface



Fits Within  
2" [51mm]  
Space

Outlet Accepts T&S  
Big-Flo Swing Nozzles.  
Conversion to Rigid Requires  
016807-45 Lock Washer  
(Sold Separately)



4-Arm Handle

Rough-In Requirement:  
Ø 1 1/4" [32mm] Hole

Product Specifications:  
Single Wall Mount Big-Flo Faucet Less Nozzle w/ 4-Arm Handle & 3/4" Street Elbow Inlet

Drawn

**DMH**

Checked

**JRM**

Approved

**JHB**

Scale:

**1:2**

Date:

**10/18/12**



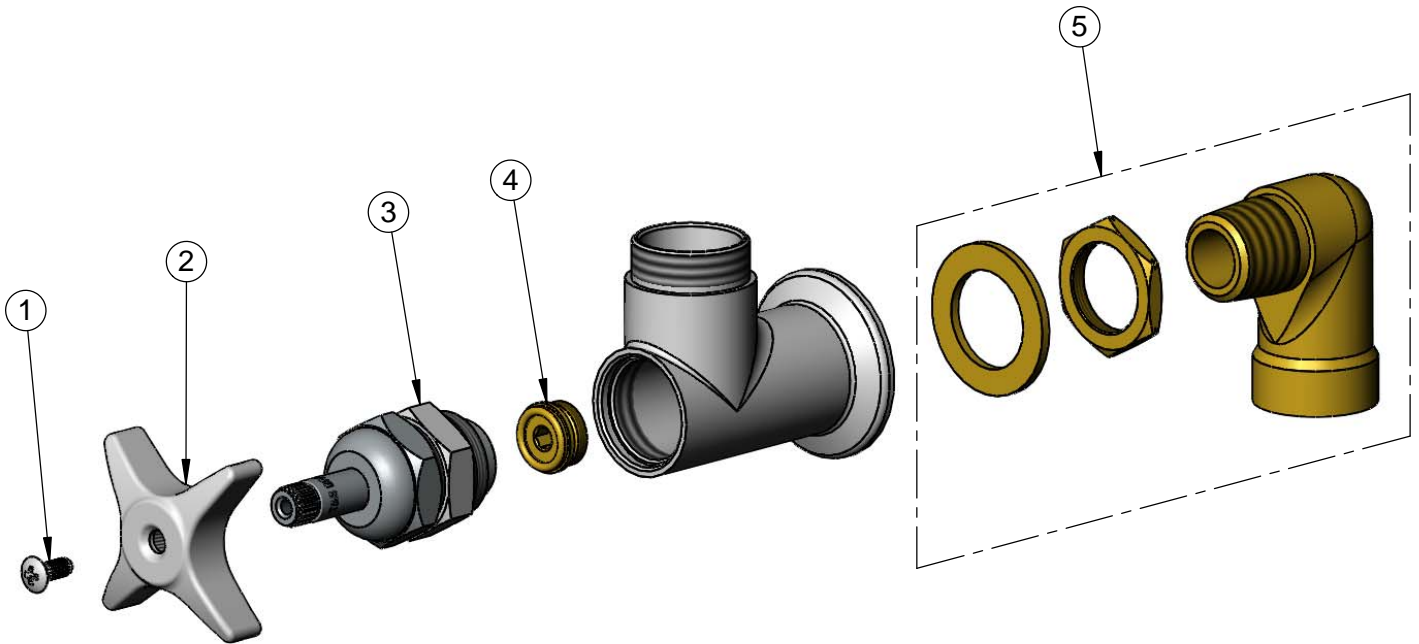
**T&S BRASS AND BRONZE WORKS, INC.**  
 2 Saddleback Cove / P.O. Box 1088  
 Travelers Rest, SC 29690

Model No.  
**BF-0299-LN**

Item No.

Travelers Rest, SC: 800-476-4103 • Simi Valley, CA: 800-423-0150 • Fax: 864-834-3518 • www.tsbrass.com

ITEM NO.	SALES NO.	DESCRIPTION
1	000922-45	Lever Handle Screw
2	002521-45	4-Arm Handle
3	006482-40	Big-Flo Cartridge, RTC
4	000764-20	Seat, Big-Flo
5	00LL	3/4" Street Elbow Inlet



Product Specifications:  
 Single Wall Mount Big-Flo Faucet Less Nozzle w/ 4-Arm Handle & 3/4" Street Elbow Inlet

Drawn <b>DMH</b>	Checked <b>JRM</b>	Approved <b>JHB</b>
Scale: <b>NTS</b>		Date: <b>10/18/12</b>