



Model BGLM-30

MODEL	BTU	CAPACITY	
		GALLON	LITER
BGLM-30	100,000	30	114
BGLM-40	125,000	40	152

#### OPERATION SHALL BE BY:

- Natural Gas
- Propane Gas

The controls shall be equipped for operating on 115 VAC, single phase, 50/60Hz, 2 Amps

#### OPTIONAL ITEMS AT EXTRA COST:

- 220 VAC, 1 phase, 50/60 Hz
- Etched gallon markings (GMS-30, GMS-40)
- Etched liter markings (LMS-30, LMS-152)
- 2" draw off valve with strainer, side mounted (TVT-2BP)
- 3" draw off valve with strainer, side mounted (TVT-3BP)
- Correctional Package

#### ACCESSORIES:

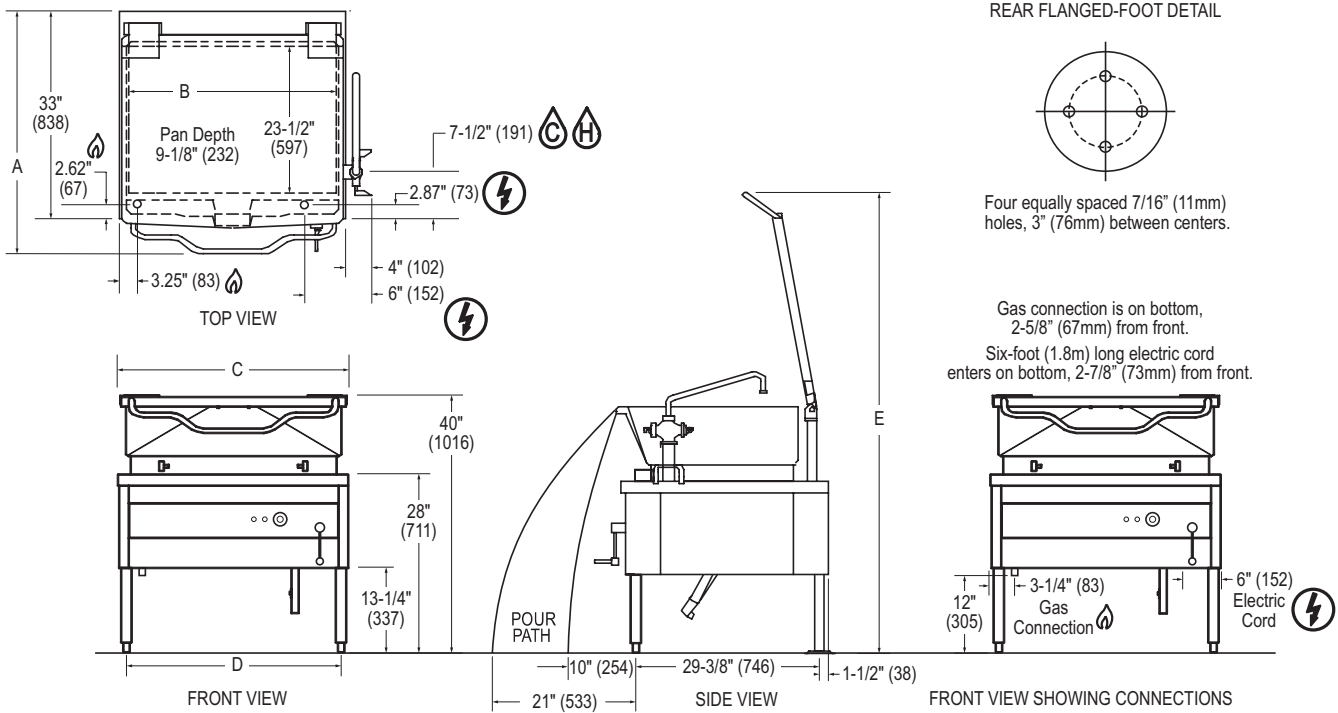
- Pan carrier (PC-1, 40 gallon only)
- Steam pan insert (SPI-30, SPI-40)
- 12" Single pantry faucet with swing spout (SF-12)
- 12" Double pantry faucet with swing spout (DF-12)
- 3" Stainless steel faucet plumbing enclosure (3139-1)
- Single pantry faucet & bracket with 60" pot filler (SF-60)
- Double pantry faucet & bracket with 60" pot filler (DF-60)
- Single pantry faucet spray hose with bracket (SP-SH)
- Double pantry faucet spray hose with bracket (DP-SH)

Shall be a Southbend model \_\_\_\_\_, gas fired skillet with manual tilt, AGA/CGA and NSF certified. The unit shall have a spring assisted stainless steel cover, with full width handle, no drip condensate guide and vent port with swing cover. The pan shall have a sloped front and be front hinged for easy tilting pour control and comes complete with a removable pour strainer. The pan is formed from 10 gauge stainless steel with a #4 finish exterior and polished interior with coved corners for easy cleaning. Cooking surface shall be 5/8" thick stainless steel clad plate ensuring even heat distribution over entire cooking surface. The pan shall be heated with stainless steel atmospheric burners with direct spark ignition.

The pan shall be mounted on a heavy duty welded frame with stainless steel exterior supported by an all welded 1-5/8" (41 mm) stainless steel pipe frame with adjustable bullet feet and rear legs fitted with flange adjustable feet for securing to the floor. Unit shall have a permanently lubricated, self-contained gear box tilt mechanism to allow the pan to tilt forward for complete emptying of contents. The controls enclosure shall be designed to meet NEMA-2 and provide a degree of protection against dripping and light splashing and shall include a solid state thermostat with OFF position and a range of 100°F - 450°F (38°C - 232°C) a thermostat indicator light, pan tilt switch that shuts burners off if tilted more than 5°, and high temperature cut-off set at 500°F (260°C).



Models: □ BGLM-30 □ BGLM-40



**DIMENSIONS**

MODEL	CAPACITY	UNITS	A	B	C	D	E
BGLM-30	30 Gallons (114 liters)	inches (mm)	38.875" (987 mm)	33.5" (851 mm)	36" (914 mm)	33.625" (854 mm)	71.375" (1813 mm)
BGLM-40	40 Gallons (152 liters)	inches (mm)	39.875" (1000 mm)	43.5" (1105 mm)	48" (1219 mm)	45.625" (1159 mm)	70.875" (1800 mm)

MODEL	SHIPPING WEIGHT	GAS SUPPLY				MINIMUM CLEARANCE *	
		BTU/HR	kW/HR	Supply Pipe Pressure (W.C)			
BGLM-30	550 lbs. [250 kg]	100,000	29.3	Natural 6" - 14" (152 mm - 356 mm)	Propane 11" - 14" (279 mm - 356 mm)	Sides	0
BGLM-40	720 lbs. [327 kg]	125,000	36.6			Back	6" (152 mm)

\* For use on noncombustible floors only.

**SERVICE CONNECTIONS**

- ⚡ - Unless otherwise specified unit is furnished with 6' cord with 3 prong plug for use at 120 Volts, 60 Hz, single phase, maximum 2 Amps.
- 🔥 - GAS CONNECTION: Supply gas through 3/4" pipe.
- 🌡️ - COLD WATER: 3/8" O.D. tubing to optional faucet
- 🌡️ - HOT WATER: 3/8" O.D. tubing to optional faucet

**INTENDED FOR COMMERCIAL USE ONLY.  
NOT FOR HOUSEHOLD USE.**



1100 Old Honeycutt Road, Fuquay-Varina, NC 27526  
(919) 762-1000 www.southbendnc.com