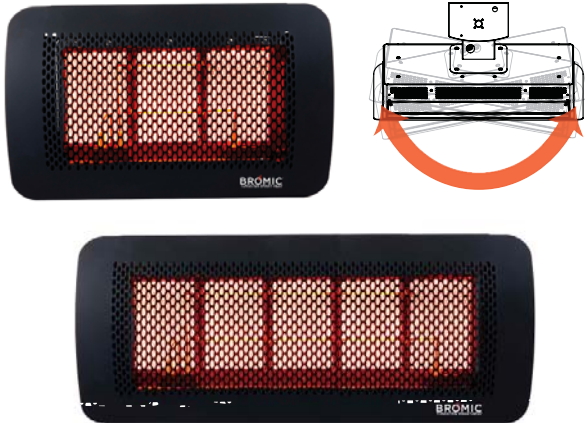


# TUNGSTEN SMART-HEAT™ GAS

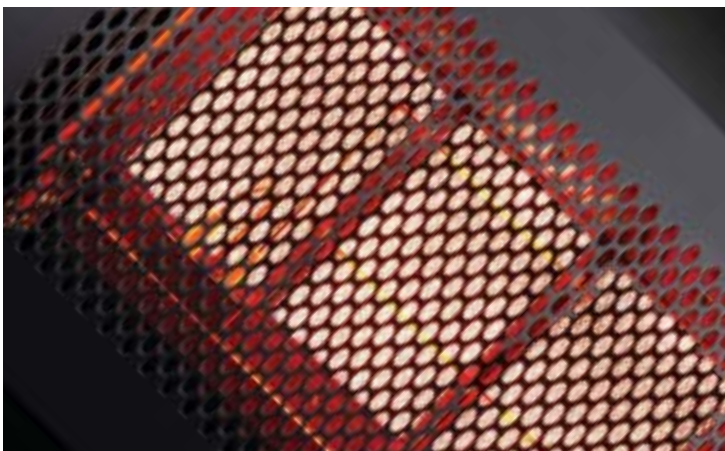


A designed, cost-conscious product blending aesthetics and function

A designed, cost-conscious product range that does not sacrifice aesthetics for function.

The patented direct ignition system, never before seen on an outdoor gas radiant heater, ensures a reliable start and effective operation, even in winds of up to 8mph.

Easy pivot arm provides greater positioning versatility and heat coverage.

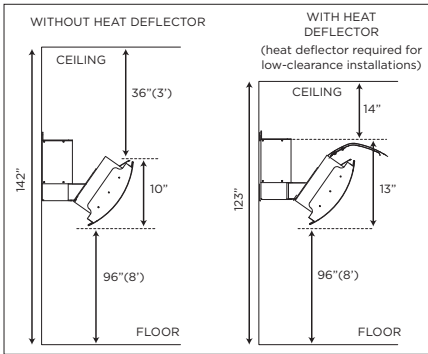


US0717TG

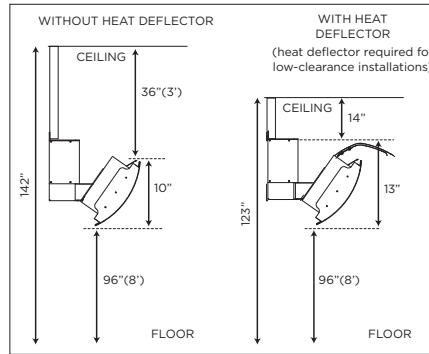
## FEATURES:

- Universal bracket — easy upgrade from 300 to 500 model. No additional plumbing or wiring required.
- Bi-directional easy-pivot arm — 25° rotation each side.
- Electronic ignition — one or multiple units can be switched on and off simultaneously from a single remote-located switch.
- Automatic re-ignition — should the heater not re-ignite for any reason, the integrated “Flame Failure safety Shut-off Control” turns the heater off immediately.
- Stainless steel casing — components are protected from tampering. Assists in preventing dirt and dust from accumulating on the wiring and components.

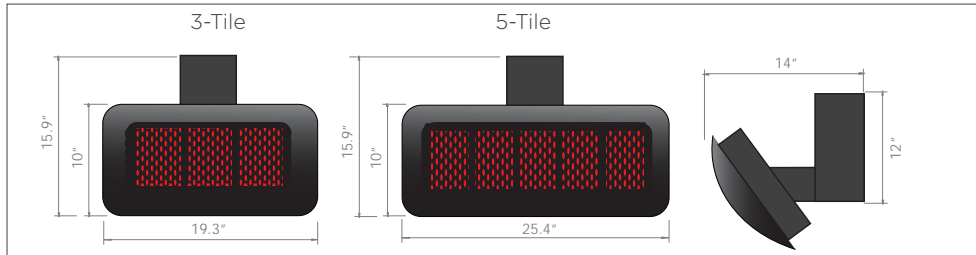
## MINIMUM INSTALLATION CLEARANCES WALL MOUNTING



## MINIMUM INSTALLATION CLEARANCES CEILING MOUNTING



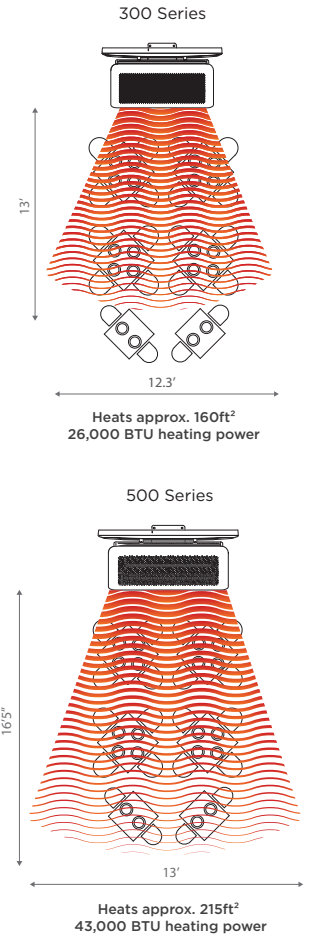
## DIMENSIONS



SPECIFICATIONS			
Model		300	500
Part no.	LPG <sup>1</sup>	BH0210002-1	BH0210004-1
	Natural Gas <sup>1</sup>	BH0210001-1	BH0210003-1
Heat Deflector part no.		BH3030011	BH3030012
Ceiling Pole		5 pole lengths to suit ceiling heights of 10.5', 11.2', 11.8', 12.5' and 13' (contact Bromic Heating for more information)	
Heat Output (on LPG and NG)		26,000BTU	43,000BTU
Approximate area heated (feet <sup>2</sup> )		160 ft <sup>2</sup>	215 ft <sup>2</sup>
Gas connection		1/2" NPT Female	1/2" NPT Female
Electrical connection		110 Volt/2A, 3-pin insulated plug	
Dimension (WxDxH)		19.3" x 15.9" x 14"	25.4" x 15.9" x 14"
Min. distance to combustible materials (without heat deflector) <sup>2</sup>		Sides: 36"(3')	
		Above (to ceiling): 36"(3')	
	(with heat deflector)	Above (to ceiling): 14"	
Mounting height requirement to ground <sup>3</sup>		96"(8')	
Weight (lb) Including wall bracket		47lbs	54lbs

<sup>1</sup>Must only be installed by a licensed technician. Must complete "Pre-Installation Checklist" before installing. <sup>2</sup>The temperature will not exceed 49°F above the ambient temperature. Please consult material manufacturer for temperature ratings <sup>3</sup>8' or maybe lower depending on local regulations

## HEAT AREA



\*Heat area dependent on ambient temperature and wind. Optimum conditions experienced at approx 60°F & in a low wind covered environment.

## ACCESSORIES\*

- Dual-directional ceiling pole
- Ceiling Pole Unit must be mounted 2.5m off the ground
- Dual-layer heat deflector (See part numbers in table below)

