

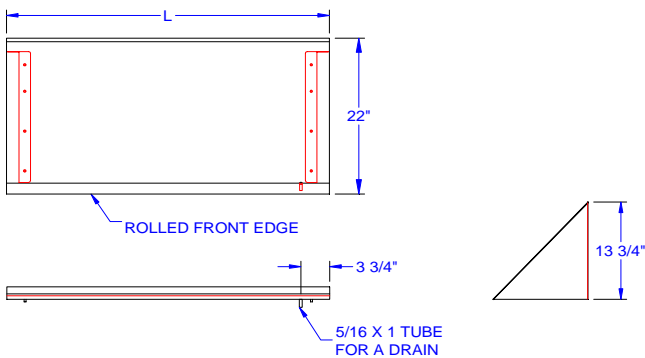
Wall Mounted Sorting Shelves

| | | | |
|---------|-------|-----|-------|
| Item # | _____ | Qty | _____ |
| Model # | _____ | | |
| Project | _____ | | |



SOLID

| MODEL # | Length | Width | Height | Weight |
|-----------|--------|-------|--------|--------|
| PB-SRW-21 | 21" | 18" | 16" | 5 |
| PB-SRW-42 | 42" | 18" | 16" | 10 |
| PB-SRW-66 | 63" | 18" | 16" | 25 |



FEATURES:

Solid sorting wall shelf

CONSTRUCTION:

TIG -Welded with exposed surfaces blended to match

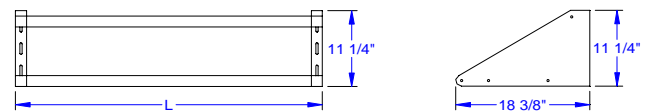
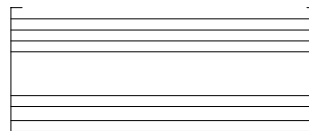
MATERIAL:

Brackets are 18 gauge type 300 series stainless steel
Shelf is 18 gauge type 300 series stainless steel



TUBULAR

| MODEL # | Length | Width | Height | Weight |
|------------|--------|-------|--------|--------|
| BHS1822-TS | 22" | 18" | 11" | 20 |
| BHS1842-TS | 42" | 18" | 11" | 23 |
| BHS1863-TS | 62" | 18" | 11" | 25 |



FEATURES:

Dual purpose open design, Wall mounted sorting shelf

CONSTRUCTION:

Unit is shipped with assembly hardware, No Welding

MATERIAL:

Brackets are 16 gauge type 300 series stainless steel
Tubing is 1-5/8" dia. Type 300 stainless steel

John Boos & Co

315 South First Street - Effingham, IL 62401

Phone: 217-347-7701 - Fax: 217-347-7705

Email: sales@johnboos.com - Web-site: www.johnboos.com