

# SCOTSMAN

LARGE MODULAR ICE STORAGE BINS



**B H 1 1 0 0**

**B H 1 3 0 0**

**B H 1 6 0 0**

## VOLUME STORAGE – AMPLE ICE RESERVE

- BH1100 – Holds up to 1100 lbs. of ice
- BH1300 – Holds up to 1400 lbs. of ice
- BH1600 – Holds up to 1755 lbs. of ice

## QUALITY CONSTRUCTION

- All models available with all stainless steel construction or stainless steel with galvanized back and bottom
- Features a roto-molded pouch door that is dent and scratch resistant. Provides excellent thermal break and doesn't sweat.
- The pouch style door can be installed without tools in less than 5 minutes.
- Pouch style door is shipped inside bin to provide a narrower bin for delivery through doorways.
- NSF approved construction

## WARRANTY *See Dealer for complete warranty details.*

- 5 years parts and labor on all components.

Bin includes 6" legs w/ adjustable leveling.

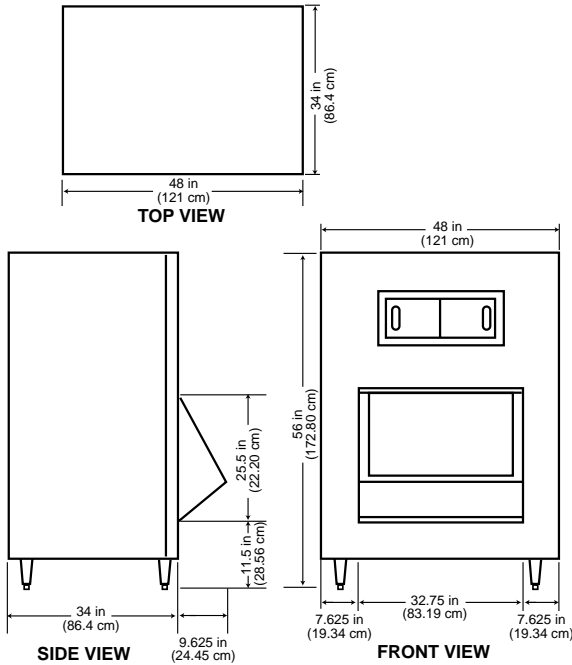
CERTIFIED  
**ISO**  
9001:2000



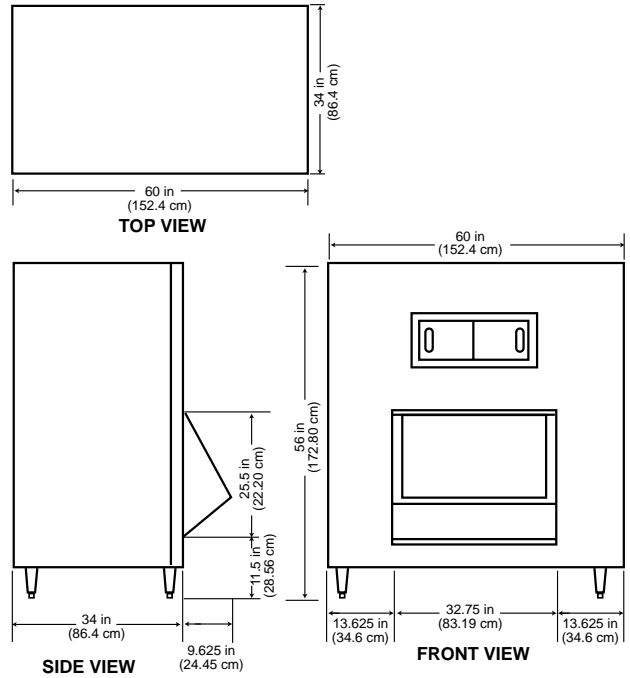
 **Scotsman**<sup>®</sup>

# Bin Specifications

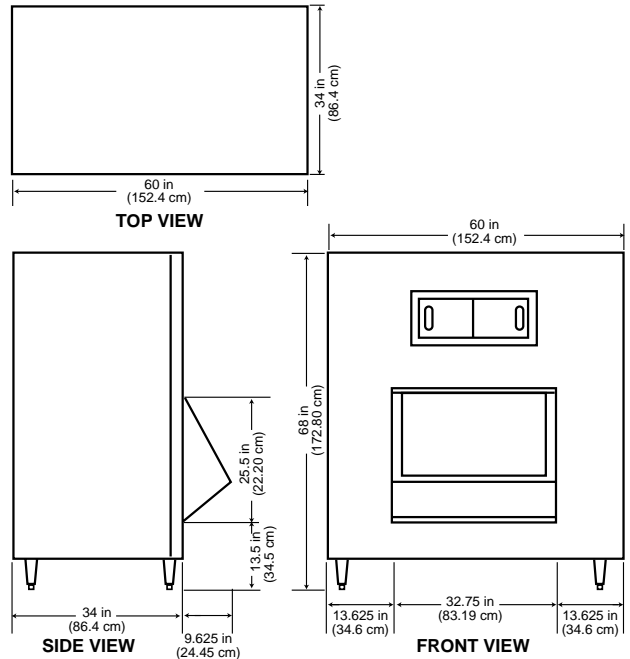
1100 UPRIGHT



1300 UPRIGHT



1600 UPRIGHT



Drain: 1" FPT drain fitting

SCOTSMAN MODULAR BIN		Certified & rated in accordance with ARI standard 820-95			
Model Number	Dimensions W"xD"xH"*	ARI Bin Capacity lbs./kg.	Application Capacity lbs./kg.	Finish**	Ship Weight lbs./kg.
BH1100BB	48" x 34" x 50"	865/393	1100/499	BB	280/127
BH1100SS	48" x 34" x 50"	865/393	1100/499	SS	280/127
BH1300BB	60" x 34" x 50"	1100/499	1400/635	BB	310/140
BH1300SS	60" x 34" x 50"	1100/499	1400/635	SS	310/140
BH1600BB	60" x 34" x 62"	1375/624	1755/796	BB	370/168
BH1600SS	60" x 34" x 62"	1375/624	1755/796	SS	370/168

\*Add 6" height for legs.

\*\* BB - All Stainless Steel Except Galvanized Back and Bottom  
SS - All Stainless Steel

Adjustable bin top filler panels are included for use with most Scotsman Ice Machines. Special bin tops are required for the following models:

CME686RLS, CME810RLS  
MAR1400RL, MAR2000RL

For two 30" wide cubers positioned side-by-side on the BH1300 or BH1600

Please contact your Scotsman representative to order the correct bin top for those configurations.

ARI storage capacity for bins is based on 80% of total volume in cubic feet x 30 lb./ft.<sup>3</sup> average density of ice.  
Application capacity for bins is based on 90% of total volume in cubic feet x 34 lb./ft.<sup>3</sup> average density of ice.

Scotsman's ice machines and bins are not designed for outdoor installations. Scotsman remote condensers are designed for outdoor installations.

Machine requires voltage indicated on rating name plate. Failures caused by improper voltage are not considered factory defects. Extended periods of operation at temperatures exceeding limitations constitutes misuse under the terms of Scotsman Manufacturer's Limited Warranty, resulting in a loss of warranty coverage. Specifications and design are subject to change without notice.

**Consult Your Local SCOTSMAN Representative At:**

**YOU'LL VALUE THE DIFFERENCE™**

775 Corporate Woods Parkway • Vernon Hills, IL 60061 • 1-800-SCOTSMAN • Fax: (847) 913-9844  
Visit our website at: [www.scotsman-ice.com](http://www.scotsman-ice.com) • E-mail: [customer.service@scotsman-ice.com](mailto:customer.service@scotsman-ice.com)

