



# Table Bases

## Bar & Dining Height 2 Prong Table Bases



Use your smart phone to scan the above QR code to visit our website:  
[www.bk-resources.com](http://www.bk-resources.com)

### Features:

- Floor Guides
- Top Spider with Rod and Nut
- Hardware for Mounting

### Material:

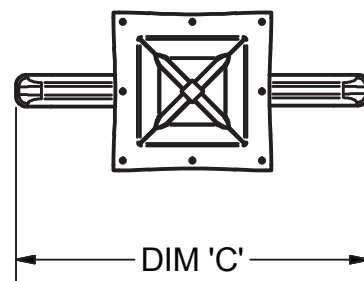
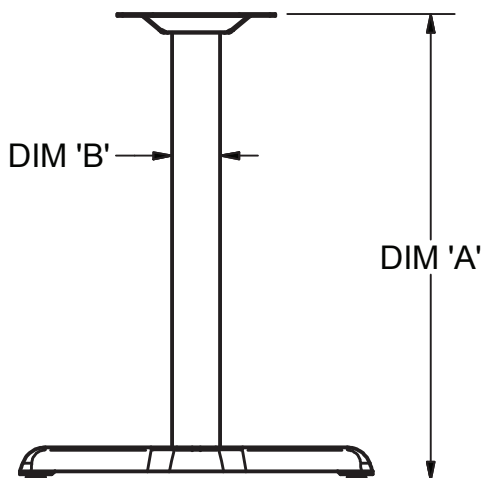
- Cast Iron Table Bases
- Black Powder Coated Finish

### Options:

- Self-Leveling Table Guides



Part Number	Dim A	Dim B	Dim C	Height
BK-DXTB2-0522	28.5"	3"	22"	Dining Height
BK-BXTB2-0522	41.5"	3"	22"	Bar Height



PRODUCT DATA SHEET

BK RESOURCES

