

30" x 30" Mobile Hand Sink w/ Pump Saving Foot Switch

Stainless Steel Hand Sinks



Use your smart phone to scan the above QR code to visit our website:
www.bk-resources.com



MHS-V3030

Material

- **Heavy Duty Stainless Steel Construction**
 - 18 gauge stainless steel top
 - Galvanized legs and undershelf
 - H units include hot water heater
 - C units **do not** include water heater
 - (4) 5" casters allow for easy mobility
 - swivel casters w/ toe lock brakes
 - 12" x 10" x 5³/₄" Bowl Size

Faucets

- **Valveless Deck Mount 5" Gooseneck spout**
 - .7 GPM flow rate

Now Comes Standard!

• Pump-Saving Foot Switch

- Extends pump life and allows for hands free operation
- Pump only runs while foot switch is depressed

- **15' GFCI Power Cord with Standard Wall Plug**
- UL Listed

Water Tanks

- **5 Gallon Removable Fresh Water Tank**
 - No disassembly required to refill
- **7 Gallon Removable Waste Water Tank**

• Soap Dispenser

- Top fill soap dispenser for easy refill

- **115 Volt Water Heater (2.5 Gallons) - ETL Listed**

Part Number

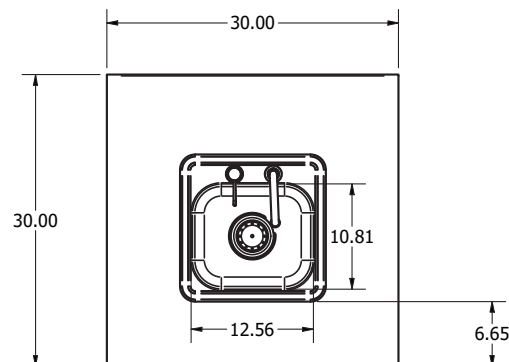
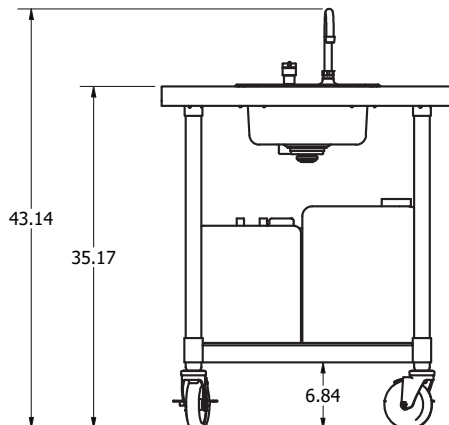
Description

MHS-V3030-C-DM

Cold Water Unit

MHS-V3030-H-DM

Hot Water Unit



PRODUCT DATA SHEET

RESOURCES

BK