



RESOURCES

Cabinet Base Work Tables

Stainless Steel Cabinet Base Tables With 5" Riser With Sliding Doors



Use your smart phone to scan the above QR code to visit our website:
www.bk-resources.com

Certifications:



Features:

- 1 5/8" x 6" Straight S/S Leg
- Legs Adjust 1" in Height
- 5" Riser
- 3-10 day lead time

Material:

- T-304 14 ga. Stainless Steel Top
- T-304 18 ga. Stainless Steel Body
- Stainless Steel Legs & Feet

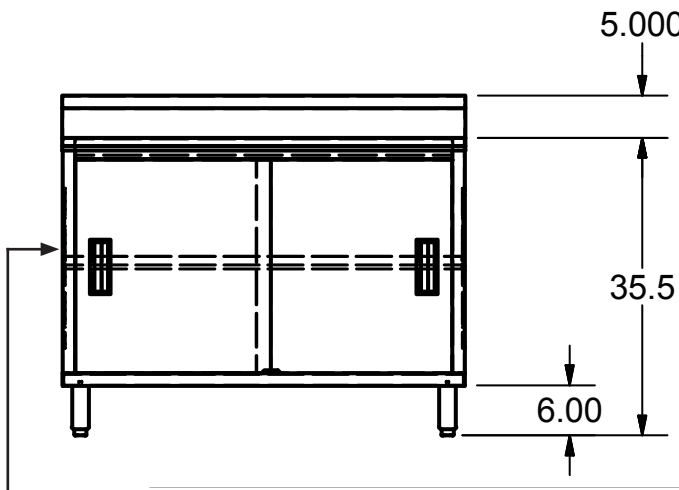
Options:

- Casters
- Adjustable Shelf

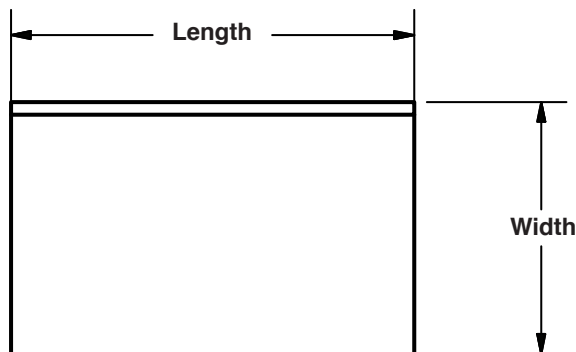


Length	24" Width with Sliding Doors	30" Width with Sliding Doors	36" Width with Sliding Doors
36"	BKDCR5-2436S	BKDCR5-3036S	-
48"	BKDCR5-2448S	BKDCR5-3048S	BKDCR5-3648S
60"	BKDCR5-2460S	BKDCR5-3060S	BKDCR5-3660S
72"	BKDCR5-2472S	BKDCR5-3072S	BKDCR5-3672S
96"	-	BKDCR5-3096S*	BKDCR5-3696S*

* Two Sets of 48" Doors



Shown with optional shelf



Top View

PRODUCT DATA SHEET

RESOURCES

