



RESOURCES

MOBILE HANDWASH SINKS



Use your smart phone to scan the above QR code to visit our website: www.bk-resources.com

Model:

MHS-

Hot and/or Cold Water Units

Standard 4" O.C. Faucet

MODEL	Water	Faucet
MHS-2424-C-BKD	Cold Only	BKD-3G-G
MHS-2424-CH-BKD	Hot & Cold	BKD-3G-G



Project: _____

Item#: _____

Quantity: _____



Metering Faucet

MODEL	Water	Faucet
MHS-2424-C-MF	Cold Only	MF-1D-G
MHS-2424-H-MF	Hot Only	MF-1D-G

MHS-

Material

- **Heavy Duty Stainless Steel Construction**
 - 14 gauge stainless steel top with 5" riser
 - 18 gauge stainless steel body
 - H units include hot water heater
 - C units **do not** include water heater
 - (4) 5" casters allow for easy mobility
 - (2) swivel casters (2) rigid casters
 - Right handed lockable access door
 - Left handed available
 - 10" x 14" x 5" Bowl Size

Faucets

- **3 Faucet Options**
 - Standard 4" O.C. Faucet (BKD)
 - Hands free electronic sensor faucet (JET)
 - Water saving metering faucet (MF)
 - .5 GPM flow rate available for all

Water Tanks

- **5 Gallon Removable Fresh Water Tank**
 - No disassembly required to refill
- **6 Gallon Removable Waste Water Tank**
 - No disassembly required to refill
 - Drain hose attached for easy drain

Soap & Towel Dispenser

- Top fill soap dispenser for easy refill

115 volt 3.3 GPM 45 PSI Water Diaphragm Pressure Pump - CSA Listed

115 Volt Water Heater (2.5 Gallons) - ETL Listed

15' GFCI Power Cord with Standard Wall Plug -UL Listed

Garden Hose Connections Also Provided for Water Supply and Drain Connections

Optional Pump-Saving Foot Switch Available (MHS-MFS)

- Extends pump life by allowing user to turn the faucet AND pump on and off

Electric Sensor Faucet

MODEL	Water	Faucet
MHS-2424-C-JET	Cold Only	BKF-JET-9B-G
MHS-2424-H-JET	Hot Only	BKF-JET-9B-G



PRODUCT DATA SHEET

RESOURCES





RESOURCES

MOBILE HANDWASH SINKS

Model:

MHS-

Hot and/or Cold Water Units

Applications

- Medical, Lab & Testing Facilities
- Restaurants, Catering, Banquets
- Food Trucks, Cafeterias
- Classroom & Schools
- Business
- Care Homes

Options

- 2 & 3 Compartment Sinks Available
- 50' In-line GFCI Cord
- Pump-Saving Foot Switch Available
- For Standard 4" O.C. Faucet unit
 - Wristblade Handles (BKF-WBH)
 - SaniTimer Handwash Timer (ST-100)
 - Eyewash attachment (BK-EWS)

Warranty

- One year labor and parts

Internal View



Fresh Water Tank **Gray Water Tank** **Easy Drain Hose**

Water Heater

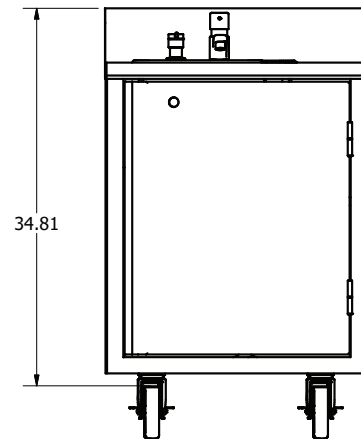
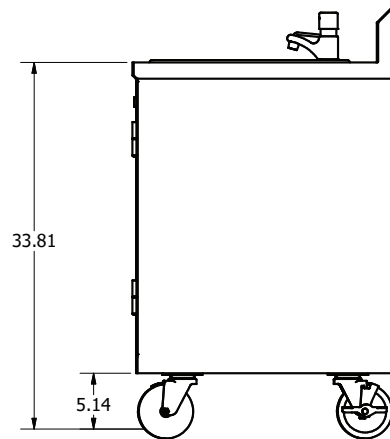
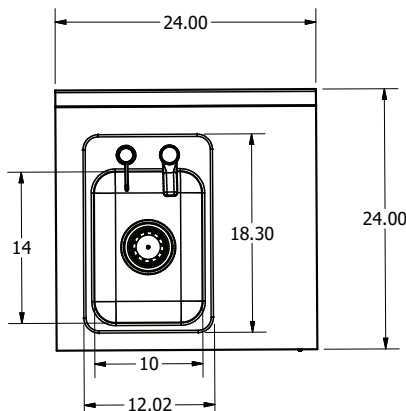
No Disassembly Required to Fill or Drain tanks

Plan View

Top

Side

Front



PRODUCT DATA SHEET

BK RESOURCES