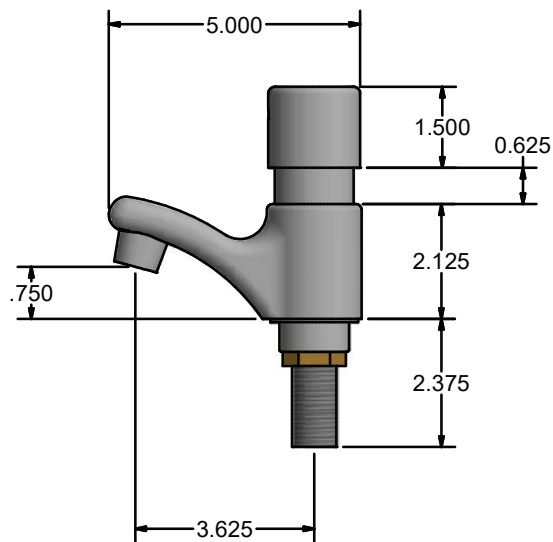
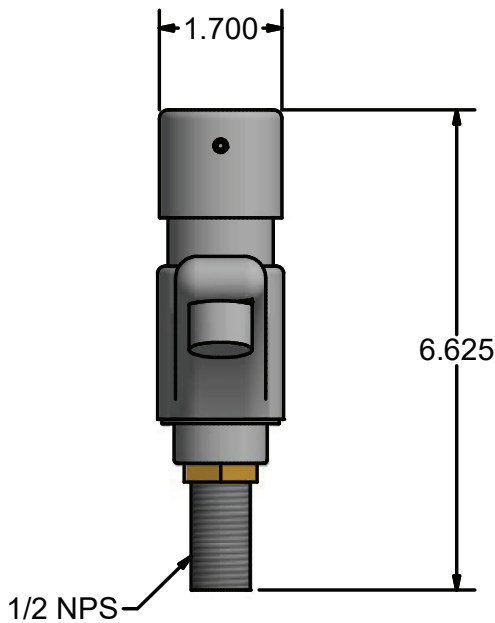




Use your smart phone to scan the above QR code to visit our website: www.bk-resources.com

Single Supply Deck Mounted Lead Free Metering Faucet

Model: MF-1D-G, Lead Free



Product Specifications:

- Polished Chrome Plated Metering Faucet
- Lead Free Product
- 0.5 GPM (1.9 L/min) Vandal Resistant Aerator
- 1-3/4" Vandal Proof MVP Metering Push Handle
- Metering Adjustable Cycle Time Closure Cartridge
- 1/2" NPSM Supply Inlet with Coupling Nut for 3/8" or 1/2" Flexible Riser
- Operating Pressure: 20-125 PSI
- Operating Temperature: 40-140°F

Maintenance:

Do not use abrasive cleaners, chemicals or solvents as they can result in surface damage. Use mild soap and warm water for cleaning.

Certifications:



Certified to NSF/ANSI 61 Section 9-G



ADA Compliant

PRODUCT SPECIFICATION SHEET

RESOURCES





Single Supply Deck Mounted Lead Free Metering Faucet

Model: MF-1D-G, Lead Free



For adjustment of the preset timing, follow these directions:

Step 1

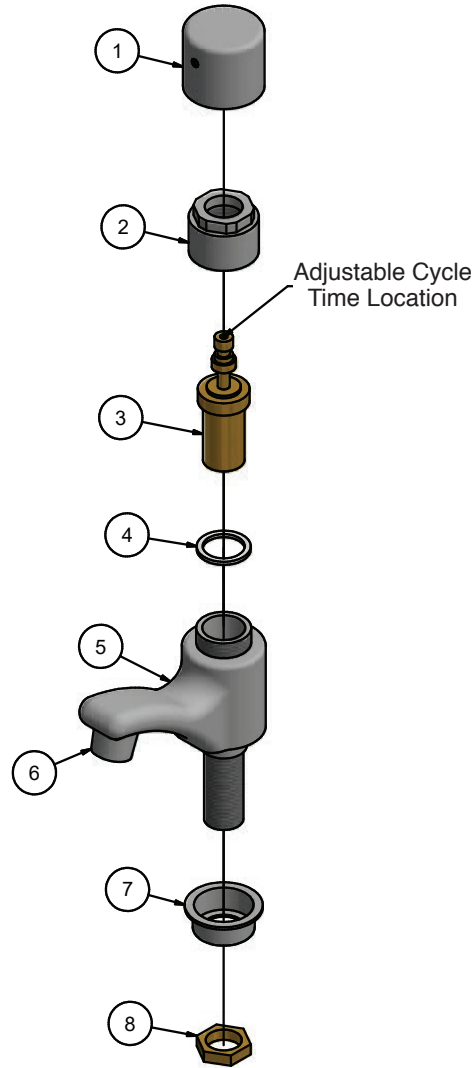
Remove the Push Button assembly cap (#1) by pulling out the red or blue temperature indicator button and loosening the mounting set screw underneath with an Allen wrench. Lift the cap up, exposing the valve stem (#3). Place a small standard screwdriver in the hole located in the center of the top of the stem.

Step 2

Turn left to shorten the amount of time the valve stays open or right to lengthen the amount of time.

Step 3

Once you have achieved the desired run time, place the cap (#1) back on the stem. Tighten the set screw to hold the cap in place, then replace the red or blue temperature indicator button.



Exploded Parts Detail:

Diagram #	Quantity	Part Number	Description
1	1	MF-PH	Push Button Assembly
2	1	MF--1D-BT	Bonnet
3	1	MF-MV	Valve
4	1	MF-ORING	O Ring
5	1	MF-1D-BODY	Faucet Body
6	1	MF-1D-AER	Aerator Assembly
7	1	MF-MS	Mounting Spacer
8	1	MF-MN	Mounting Nut

PRODUCT SPECIFICATION SHEET

RESOURCES

