



Enclosed Cabinet Base Serving Counter

Stainless Steel Cabinet Base Serving Counter



Use your smart phone to scan the above QR code to visit our website:
www.bk-resources.com

Certifications:



Shown with optional casters

Features:

- 34^{3/4}" Height
- Drop Shelf for serving trays
- 3-5 day lead time

Material:

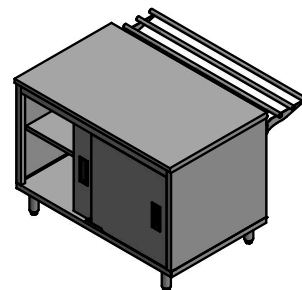
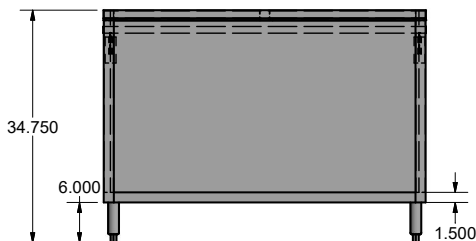
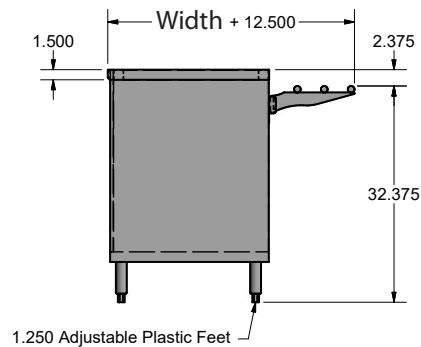
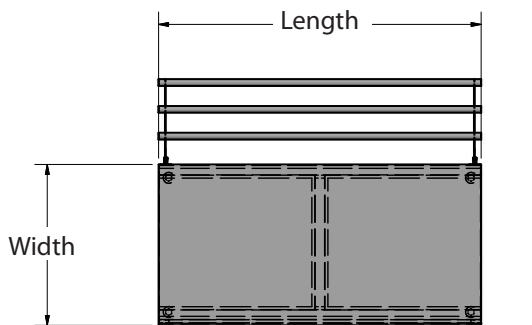
- 14 Gauge Stainless Steel Top
- 18 ga. Stainless Steel Body
- Standard Stainless Steel Legs

Length	24" Deep without Sliding Doors
48"	SECT-2448
60"	SECT-2460
72"	SECT-2472

Length	30" Deep without Sliding Doors
48"	SECT-3048
60"	SECT-3060
72"	SECT-3072

Length	24" Deep with Sliding Doors
48"	SECT-2448S
60"	SECT-2460S
72"	SECT-2472S

Length	30" Deep with Sliding Doors
48"	SECT-3048S
60"	SECT-3060S
72"	SECT-3072S



PRODUCT DATA SHEET

BK RESOURCES

