



Enclosed Cabinet Base Urn Stand

Stainless Steel Cabinet Base Serving Counter with Urn Trough



Use your smart phone to scan the above QR code to visit our website:
www.bk-resources.com

Certifications:



Features:

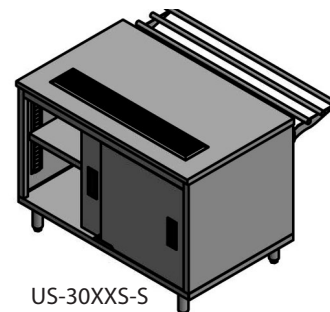
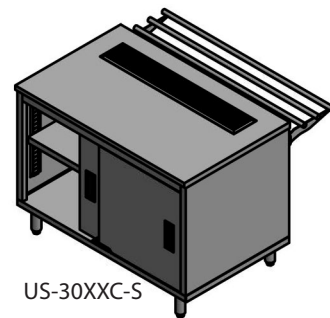
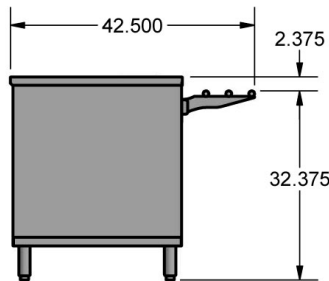
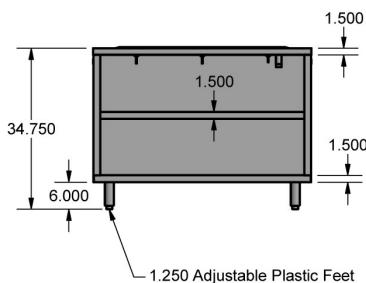
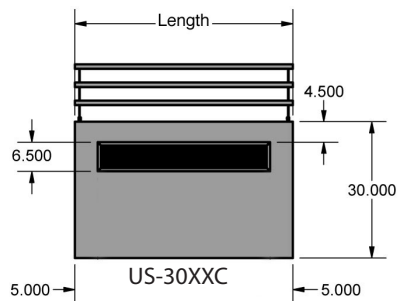
- 34^{3/4}" Height
- Drop Shelf for Serving Trays
- 3-5 day lead time

Material:

- 14 Gauge Stainless Steel Top
- 18 ga. Stainless Steel Body
- Standard Stainless Steel Legs

30" Deep, Self Serve without Sliding Doors		30" Deep, Self Serve with Sliding Doors	
Length			
48"	US-3048S		US-3048S-S
60"	US-3060S		US-3060S-S
72"	US-3072S		US-3072S-S

30" Deep, Cashier Serve without Sliding Doors		30" Deep, Cashier Serve with Sliding Doors	
Length			
48"	US-3048C		US-3048C-S
60"	US-3060C		US-3060C-S
72"	US-3072C		US-3072C-S



PRODUCT DATA SHEET

BK RESOURCES

