



# Deep Drawn 1 Compartment Drop-In Sink

## Drop In Sinks

### Certifications:



### Features:

- Deep Drawn Construction for a seamless and more appealing design
- Traditional Top Mount
- Includes BKDR-2 Drain
- Faucet Holes 4" O.C.

### Material:

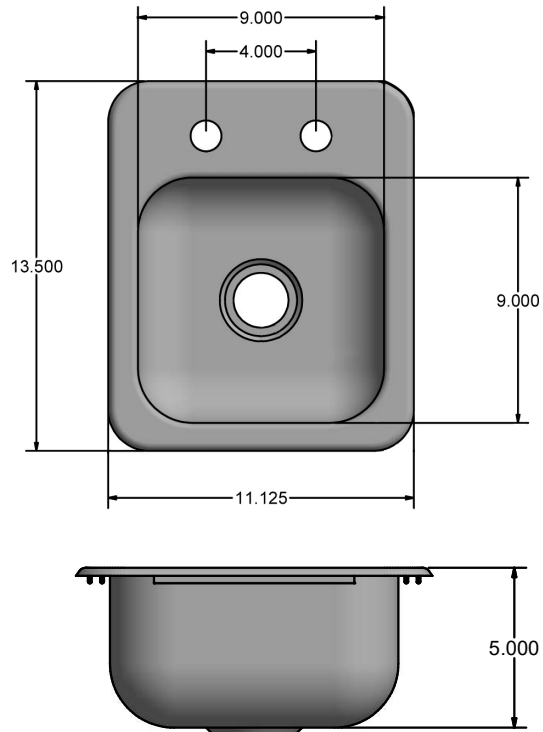
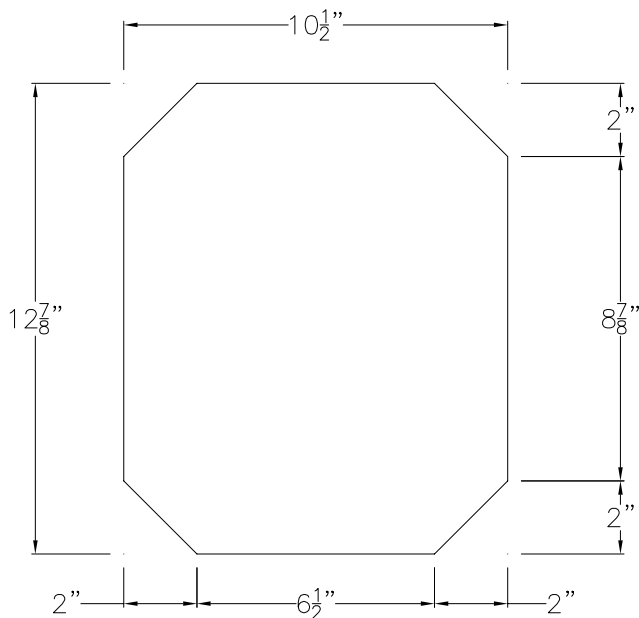
- T-304 20 ga. Stainless Steel

### Options:

- Upgrade to OptiFlow Heavy Duty Faucets or Evolution Stainless Steel Faucets
- Wrist Blades
- "-P-G" Includes BKD-3G-G Lead-Free Faucet

Part Number	Bowl Size (l x w x d)	Unit Size (l x w x d)	Included Faucet	Product Weight (lbs)
DDI-0909524	9" x 9" x 5" (d)	11 <sup>1/8"</sup> x 13 <sup>1/2"</sup> x 5" (d)	-	6.00
DDI-0909524-P-G	9" x 9" x 5" (d)	11 <sup>1/8"</sup> x 13 <sup>1/2"</sup> x 5" (d)	BKD-3G-G	7.50

Cutout Template for DDI-0909524 (Not to Scale)



PRODUCT DATA SHEET

BK RESOURCES

