



# Wall Mount Ingredient Shelf for Food Pans

## Stainless Steel Shelving



Use your smart phone to scan the above QR code to visit our website:  
[www.bk-resources.com](http://www.bk-resources.com)



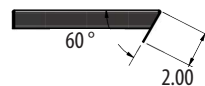
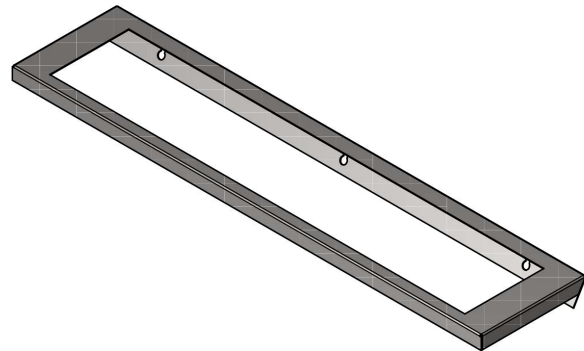
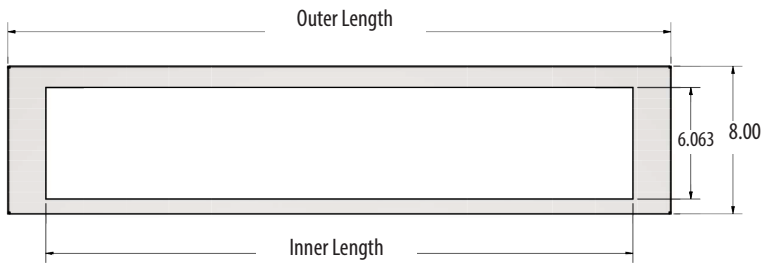
### Features:

- Angled Mount to Provide Easy Access
- Self Service or Food Prep Applications
- Pans Not Included

### Material:

- T-304 18 ga Stainless Steel

Part Number	Overall Size (l x w)	Interior Size (l x w)	Holds
IGS-836	36" x 8"	31.875 x 6.063"	(5) 1/6 Pans
IGS-842	42" x 8"	38.250 x 6.063"	(6) 1/6 Pans



PRODUCT DATA SHEET

BK RESOURCES

