



Underbar Drain Boards

Stainless Steel Underbar Drain Boards



Use your smart phone to scan the above QR code to visit our website:
www.bk-resources.com

Certifications:



Features:

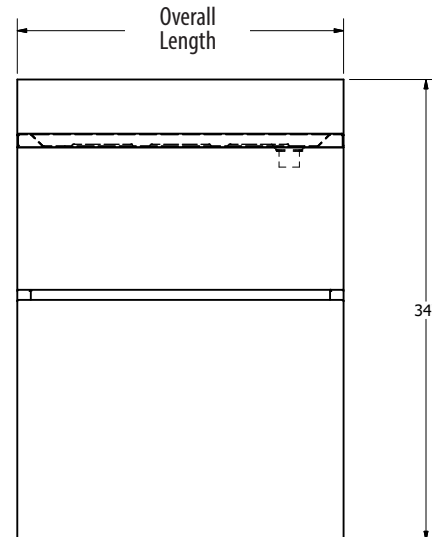
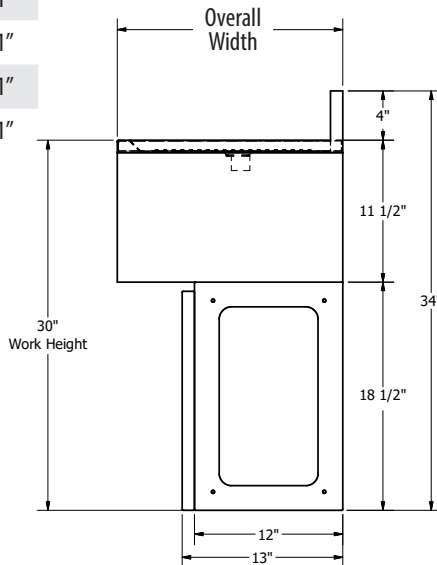
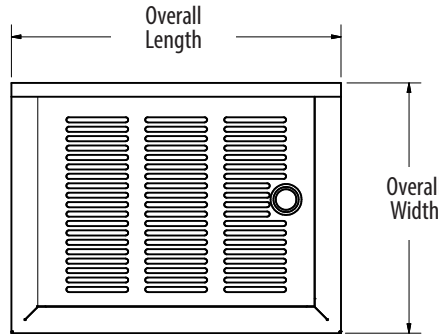
- Standard 18" or 21" Depth
- Stamped & Pitched Drainboards
- Includes: BKDR-15CP Drain
- 18GA SS Front Panels w/ Base
- Removable SS Front Panel on Base

Material:

- T-304 18 ga. Stainless Steel
- 18 Ga SS Front Panels w/ Base



Part Number	Unit Size (w x d x h)
UBB-18-DB12	12" x 18" x 41"
UBB-18-DB18	18" x 18" x 41"
UBB-18-DB24	24" x 18" x 41"
UBB-18-DB30	30" x 18" x 41"
UBB-18-DB36	36" x 18" x 41"
UBB-18-DB48	48" x 18" x 41"
UBB-21-DB12	12" x 21 1/4" x 41"
UBB-21-DB18	18" x 21 1/4" x 41"
UBB-21-DB24	24" x 21 1/4" x 41"
UBB-21-DB30	30" x 21 1/4" x 41"
UBB-21-DB36	36" x 21 1/4" x 41"
UBB-21-DB48	48" x 21 1/4" x 41"



PRODUCT DATA SHEET

BK RESOURCES

