



# Deep Drawn 1 Compartment Drop-In Sink

## Drop In Sinks

### Certifications:



### Features:

- Deep Drawn Construction for a seamless and more appealing design
- Traditional Top Mount
- Includes BKDR-4 Drain
- Faucet Holes 4" O.C.

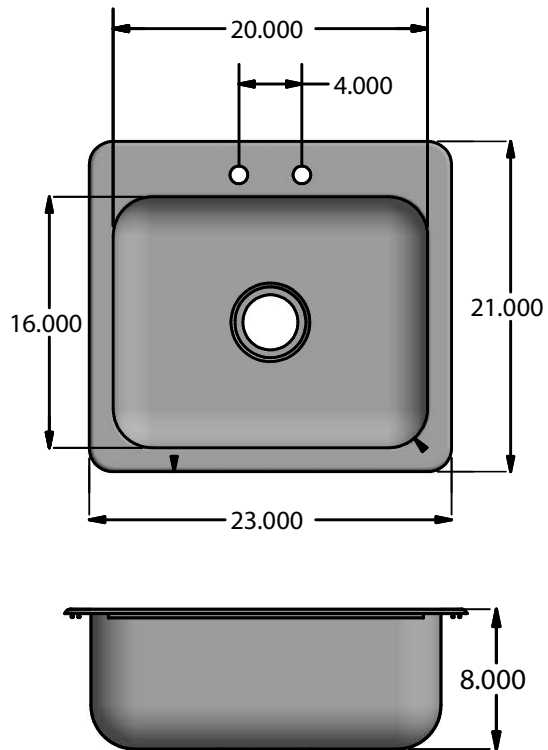
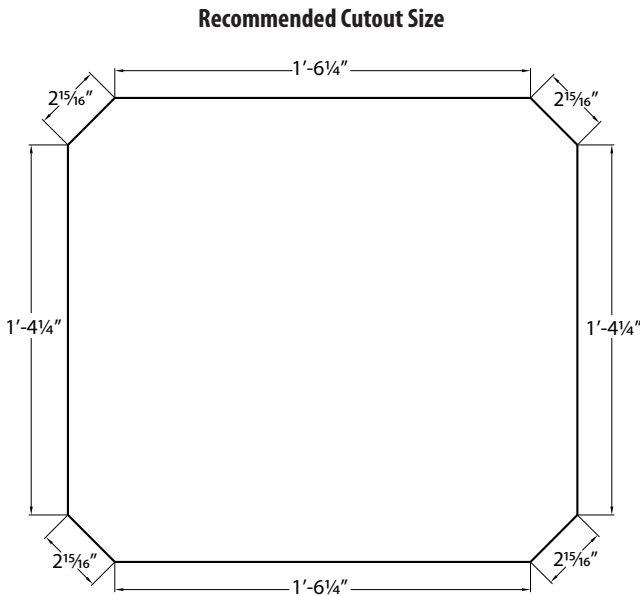
### Material:

- T-304 18 ga. Stainless Steel

### Options:

- Upgrade to OptiFlow Heavy Duty Faucets or Evolution Stainless Steel Faucets
- Wrist Blades
- "-P-G" Includes BKD-8G-G Lead-Free Faucet

Part Number	Unit Size (l x w x d)	Bowl Size (l x w x d)	Included Faucet	Product Weight (lbs)
DDI-2016824	21" x 23" x 8" (d)	20" x 16" x 8" (d)	-	13.00
DDI-2016824-P-G	21" x 23" x 8" (d)	20" x 16" x 8" (d)	BKD-8G-G	17.00



PRODUCT DATA SHEET

BK RESOURCES

