



Two Compartment - Double Drainboard

Stainless Steel Compartment Sinks



Use your smart phone to scan the above QR code to visit our website:
www.bk-resources.com

Certifications:



Faucet Sold Separately



Shown as:
Model #s ending in S

Faucet Sold Separately

Features:

- 1/4" Pitched Drainboards To Ensure Proper Drainage
- 1 1/2" Rounded Front and Side Edges
- Accommodates 8" On Center Faucets
- Drains Included
- 9" Backsplash

Options:

- Pre-Rinse Units & Faucets
- Lever Drains
- Upgraded Bullet Feet
- Slant Rack Shelf (BK-SSH)
- End Splash (BKS-RES)
- S/S Basket Drain (BKDR-4-304)

Material:

- T-304 18 ga. Stainless Steel Deck & Bowls
- 1 5/8" Galvanized Legs
- Adjustable High Impact Corrosion Resistant Feet

Model #s ending with "S":

- T-304 18 ga. Stainless Steel Deck & Bowls
- Stainless Steel Legs
- Stainless Steel End Bracing
- Adjustable Stainless Steel over Plastic Bullet Feet

Part Number	Unit Size (l x w)	Bowl Dim. (l x w x d)	Sets of Faucet Holes	Drainboard Size	Legs
BKS-2-1620-12-18T	68" x 25 13/16"	16" x 20" x 12"	1	(2) - 18"	Galvanized
BKS-2-1620-12-18TS	68" x 25 13/16"	16" x 20" x 12"	1	(2) - 18"	Stainless Steel w/ End Bracing
BKS-2-18-12-18T	72" x 23 13/16"	18" x 18" x 12"	1	(2) - 18"	Galvanized
BKS-2-18-12-18TS	72" x 23 13/16"	18" x 18" x 12"	1	(2) - 18"	Stainless Steel w/ End Bracing
BKS-2-20-12-18T	76" x 25 13/16"	20" x 20" x 12"	1	(2) - 18"	Galvanized
BKS-2-20-12-18TS	76" x 25 13/16"	20" x 20" x 12"	1	(2) - 18"	Stainless Steel w/ End Bracing
BKS-2-24-14-24T	96" x 29 13/16"	24" x 24" x 14"	1	(2) - 24"	Galvanized
BKS-2-24-14-24TS	96" x 29 13/16"	24" x 24" x 14"	1	(2) - 24"	Stainless Steel w/ End Bracing

PRODUCT DATA SHEET

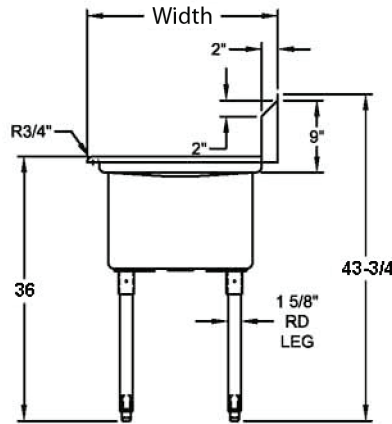
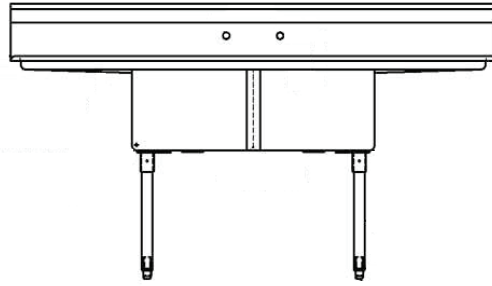
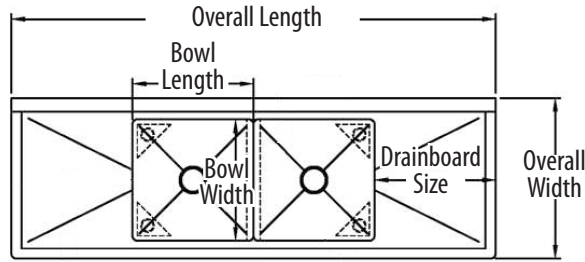
BK RESOURCES





Two Compartment - Double Drainboard

Stainless Steel Compartment Sinks



PRODUCT DATA SHEET

BK RESOURCES

