



# Three Compartment - Double Drainboard

## Stainless Steel Compartment Sinks



Use your smart phone to scan the above QR code to visit our website:  
www.bk-resources.com

### Certifications:



Shown as:  
Model #s ending in S

### Features:

- 1/4" Pitched Drainboards To Ensure Proper Drainage
- 1 1/2" Rounded Front and Side Edges
- Accommodates 8" On Center Faucets
- Drains Included
- 9" Backsplash

### Options:

- Pre-Rinse Units & Faucets
- Lever Drains
- Upgraded Bullet Feet
- Slant Rack Shelf (BK-SSH)
- End Splash (BKS-RES)
- S/S Basket Drain (BKDR-4-304)

### Material:

- T-304 18 ga. Stainless Steel Deck & Bowls
- 1 5/8" Galvanized Legs
- Adjustable High Impact Corrosion Resistant Feet

### Model #s ending with "S":

- T-304 18 ga. Stainless Steel Deck & Bowls
- Stainless Steel Legs
- Stainless Steel End Bracing
- Adjustable Stainless Steel over Plastic Bullet Feet

Part Number	Unit Size (l x w)	Bowl Dim. (l x w x d)	Sets of Faucet Holes	Drainboard Size	Legs
BKS-3-1416-12-12T	66" x 21 <sup>13/16"</sup>	14" x 16" x 12"	1	(2) - 12"	Galvanized
BKS-3-1416-12-12TS	66" x 21 <sup>12/16"</sup>	14" x 16" x 12"	1	(2) - 12"	Stainless Steel w/ End Bracing
BKS-3-15-14-15T	75" x 20 <sup>13/16"</sup>	15" x 15" x 14"	1	(2) - 15"	Galvanized
BKS-3-15-14-15TS	75" x 20 <sup>13/16"</sup>	15" x 15" x 14"	1	(2) - 15"	Stainless Steel w/ End Bracing
BKS-3-1620-12-18T	84" x 25" <sup>13/16"</sup>	16" x 20" x 12"	1	(2) - 18"	Galvanized
BKS-3-1620-12-18TS	84" x 25" <sup>13/16"</sup>	16" x 20" x 12"	1	(2) - 18"	Stainless Steel w/ End Bracing
BKS-3-1620-14-18T	84" x 25" <sup>13/16"</sup>	16" x 20" x 14"	1	(2) - 18"	Galvanized
BKS-3-1620-14-18TS	84" x 25" <sup>13/16"</sup>	16" x 20" x 14"	1	(2) - 18"	Stainless Steel w/ End Bracing
BKS-3-18-12-18T	90" x 23 <sup>13/16"</sup>	18" x 18" x 12"	1	(2) - 18"	Galvanized
BKS-3-18-12-18TS	90" x 23 <sup>13/16"</sup>	18" x 18" x 12"	1	(2) - 18"	Stainless Steel w/ End Bracing
BKS-3-18-12-24T	102" x 23 <sup>13/16"</sup>	18" x 18" x 12"	1	(2) - 24"	Galvanized
BKS-3-18-12-24TS	102" x 23 <sup>13/16"</sup>	18" x 18" x 12"	1	(2) - 24"	Stainless Steel w/ End Bracing
BKS-3-18-14-18T	90" x 23 <sup>13/16"</sup>	18" x 18" x 14"	1	(2) - 18"	Galvanized
BKS-3-18-14-18TS	90" x 23 <sup>13/16"</sup>	18" x 18" x 14"	1	(2) - 18"	Stainless Steel w/ End Bracing
BKS-3-1824-14-24T	102" x 29 <sup>13/16"</sup>	18" x 24" x 14"	1	(2) - 24"	Galvanized
BKS-3-1824-14-24TS	102" x 29 <sup>13/16"</sup>	18" x 24" x 14"	1	(2) - 24"	Stainless Steel w/ End Bracing

... Continued on Next Page

PRODUCT DATA SHEET

BK RESOURCES





# Three Compartment - Double Drainboard

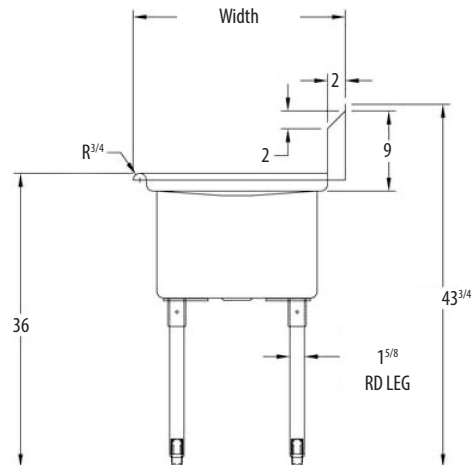
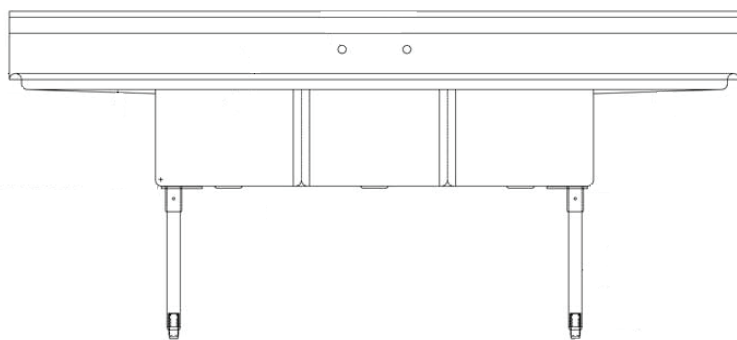
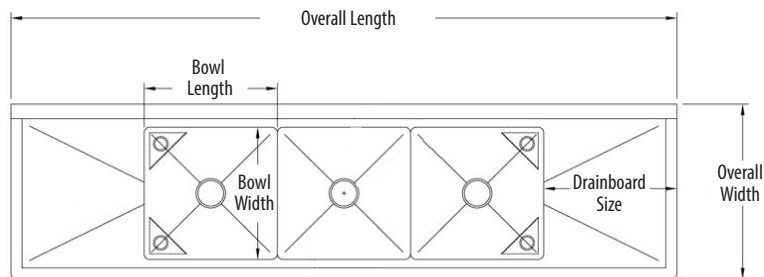
## Stainless Steel Compartment Sinks



Use your smart phone to scan the above QR code to visit our website:  
www.bk-resources.com

... Continued from Previous Page

Part Number	Unit Size (l x w)	Bowl Dim. (l x w x d)	Sets of Faucet Holes	Drainboard Size	Legs
BKS-3-1824-14-18T	90" x 29 13/16"	18" x 24" x 14"	1	(2) - 18"	Galvanized
BKS-3-1824-14-18TS	90" x 29 13/16"	18" x 24" x 14"	1	(2) - 18"	Stainless Steel w/ End Bracing
BKS-3-20-12-18T	96" x 25 13/16"	20" x 20" x 12"	1	(2) - 18"	Galvanized
BKS-3-20-12-18TS	96" x 25 13/16"	20" x 20" x 12"	1	(2) - 18"	Stainless Steel w/ End Bracing
BKS-3-20-14-24T	108" x 25 13/16"	20" x 20" x 14"	1	(2) - 24"	Galvanized
BKS-3-20-14-24TS	108" x 25 13/16"	20" x 20" x 14"	1	(2) - 24"	Stainless Steel w/ End Bracing
BKS-3-2030-12-20T	100" x 35 13/16"	20" x 30" x 12"	1	(2) - 20"	Galvanized
BKS-3-2030-12-20TS	100" x 35 13/16"	20" x 30" x 12"	1	(2) - 20"	Stainless Steel w/ End Bracing
BKS-3-2030-14-24T	108" x 35 13/16"	20" x 30" x 14"	1	(2) - 24"	Galvanized
BKS-3-2030-14-24TS	108" x 35 13/16"	20" x 30" x 14"	1	(2) - 24"	Stainless Steel w/ End Bracing
BKS-3-24-14-24T	120" x 29 13/16"	24" x 24" x 14"	2	(2) - 24"	Galvanized
BKS-3-24-14-24TS	120" x 29 13/16"	24" x 24" x 14"	2	(2) - 24"	Stainless Steel w/ End Bracing



PRODUCT DATA SHEET

BK RESOURCES

