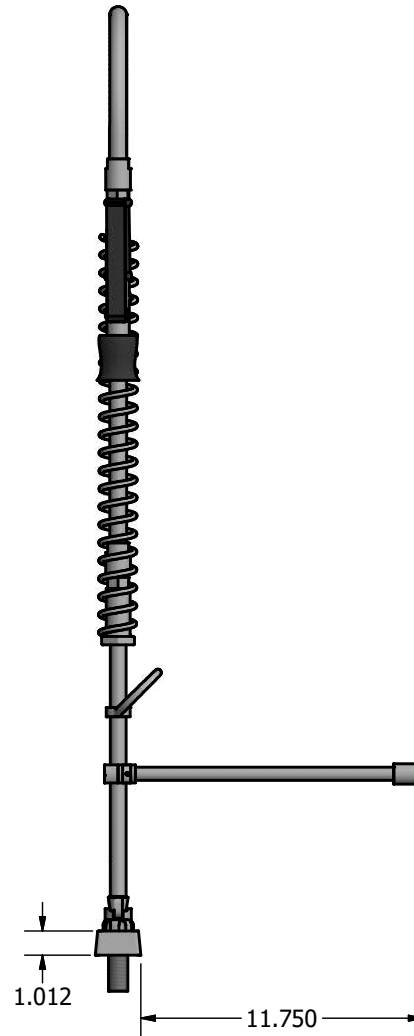
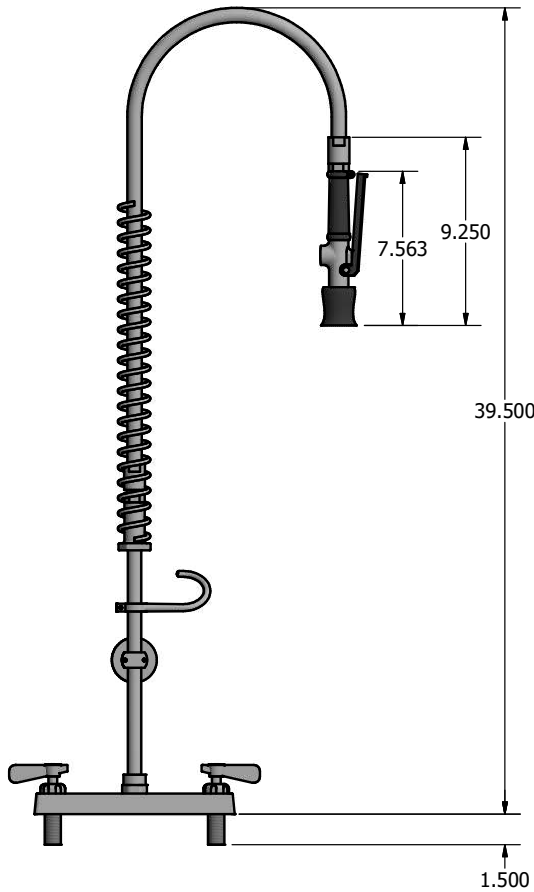




Use your smart phone to scan the above QR code to visit our website: www.bk-resources.com

8" Deck Mount Pre-Rinse

Model: EVO-8DMPR, Lead Free



Product Specifications:

- Dual Pattern Spray Head
- Stainless Steel Waterways
- 12" Wall Bracket
- 1/4 Turn Ceramic Cartridges
- Integral Check Valves
- Color Coded Hot & Cold Indicators
- 1/2" Female Inlets
- Lifetime Warranty on Faucet and Spray head
- 1 year Warranty on Hose

Options:



EVO-AF Add A Faucet
EVO-AF8, EVO-AF10,
EVO-AF12, EVO-AF14

Certifications:



Certified to NSF/ANSI 61 Section 9-G



PRODUCT SPECIFICATION SHEET

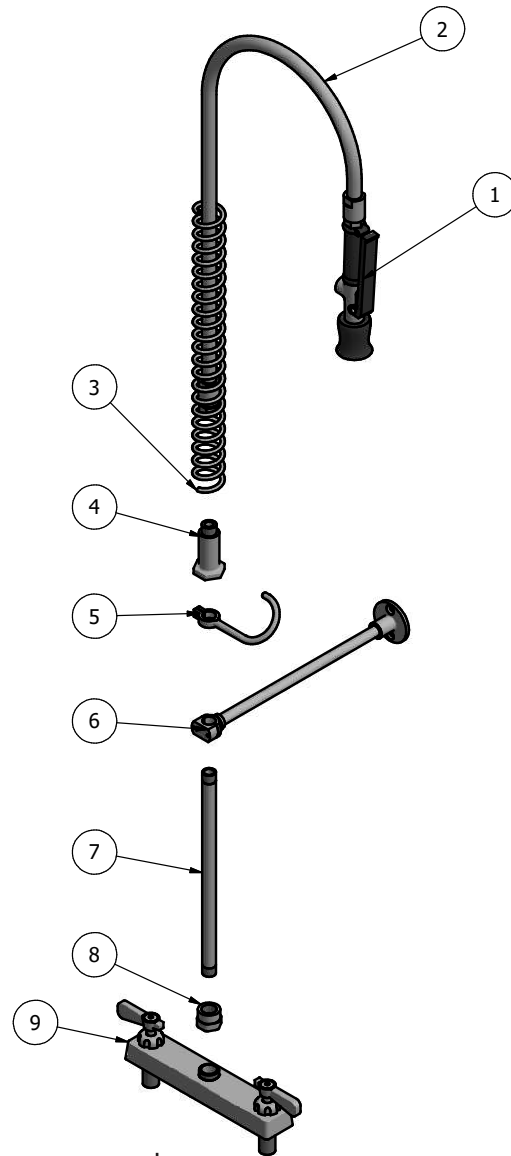
RESOURCES





8" Deck Mount Pre-Rinse

Model: EVO-8DMPR, Lead Free



Exploded Parts Detail:

| Diagram # | Quantity | Part Number | Description |
|-----------|----------|--------------|----------------------------------|
| 1 | 1 | EVO-PRV | SS Dual Pattern Spray Valve |
| 2 | 1 | BKH-44-G | 44" Pre-Rinse Hose |
| 3 | 1 | BK-PR-SPRING | Pre-Rinse Hose Spring |
| 4 | 1 | EVO-PR-SPR | SS Pre-Rinse Retainer |
| 5 | 1 | BK-PR-SHR | Spray Valve Handle Retainer |
| 6 | 1 | BK-PR-WB | Wall Bracket |
| 7 | 1 | BK-PR-24RP-G | 24" Riser Pipe |
| 8 | 1 | BK-PR-ADP | Pre-Rinse Adapter |
| 9 | 1 | SSBK8DMXXG | SS 8" O/C Deck Mount Faucet Body |

Options:



EVO-AF Add A Faucet
EVO-AF8, EVO-AF10,
EVO-AF12, EVO-AF14

PRODUCT SPECIFICATION SHEET

RESOURCES

