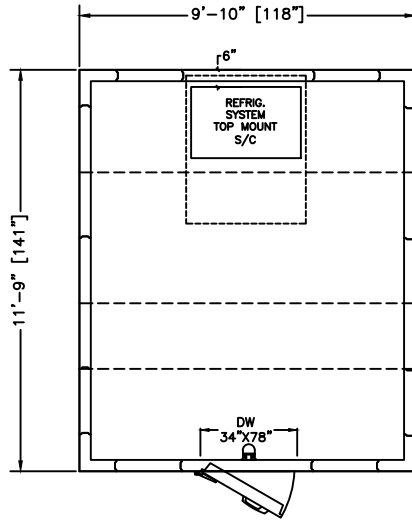


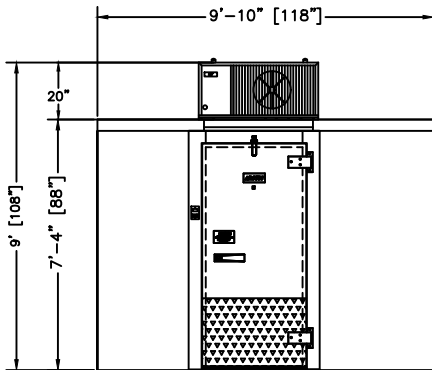
PLAN VIEW

RIGHT HINGE
SELECT



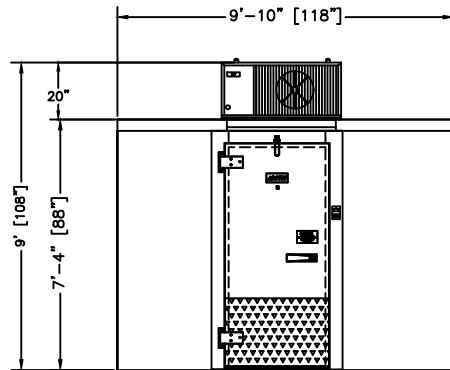
PLAN VIEW

LEFT HINGE
SELECT



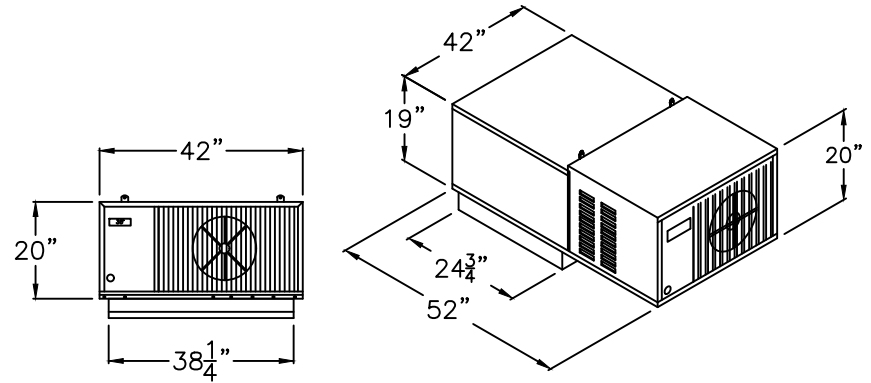
ELEVATION

RIGHT HINGE



ELEVATION

LEFT HINGE



REFRIGERATION UNIT

| PRODUCT SPECIFICATIONS | |
|-----------------------------------|---|
| MODEL: | BL1012-C-SC |
| WALK-IN SPECIFICATION | |
| INTERIOR/EXTERIOR FINISH | 26 GAUGE MILL EMBOSSED ACRYLUME OR 26 GAUGE STUCCO EMBOSSED GALVANIZED STEEL |
| ELECTRICAL (VOLTS/Hz/PH) | 115/60/1 |
| MAX AMP. | 0.8 |
| SYSTEM SPECIFICATION | |
| ELECTRICAL (VOLTS/Hz/PH) | 208/230/1/60 |
| AMPS | 12.3 |
| WEIGHT (LBS) | 260 |
| CORD + NEMA 6-20R PLUG | |
| WALK-IN AND REFRIGERATION FREIGHT | |
| TOTAL SHIPPING WEIGHT (LBS) | 1482 |
| MAXIMUM PALLET SIZE | 48" X 120" X 102" HIGH |
| NUMBERS OF PALLETS | 2 |

MODEL: BL1012-C-SC

INDOOR-NO FLOOR

COOLER 35°F

SELF-CONTAINED SYSTEM

CUSTOMER APPROVAL

DATE: _____

SIGNATURE: _____

CONFIDENTIAL

THE DRAWINGS, TECHNICAL DATA, AND ALL OTHER INFORMATION SET FORTH IN THIS DOCUMENT COMPRISE TRADE SECRETS AND CONFIDENTIAL INFORMATION THAT IS THE EXCLUSIVE PROPERTY OF ARCTIC INDUSTRIES, LLC.

USE OF SUCH INFORMATION IS LIMITED TO THE PURPOSE FOR WHICH IT WAS PROVIDED AND NO RECIPIENT IS PERMITTED TO USE, COPY, OR DISCLOSE SUCH INFORMATION EXCEPT AS EXPRESSLY AUTHORIZED BY ARCTIC INDUSTRIES, LLC.

Arctic
WALK-IN COOLERS AND FREEZERS
MIAMI, FLORIDA
Phone: (305) 883-5581
LOS ANGELES, CALIFORNIA
Phone: (626) 508-0920

Intertek CONFIDENTIAL TO UL STD #1
Intertek CONFIDENTIAL TO NSF STD 71
EISA