

# Specification Sheet

## Short Form Specifications

BlendPort Soiled Dishtables, model \_\_\_\_\_. Top to be 16/304 stainless steel with all seams welded, ground smooth, and polished. Front and end to have 3"-high upturn with a 1½"-diameter rolled edge. Stainless channels welded to underside. Backsplash is 10"-high. 20¾" opening for dishwasher. Legs to be 1½" O.D. stainless tubing with 1" diameter crossbracing and adjustable stainless bullet feet.

Item No.:	_____
Project No.:	_____
S.I.S. No.:	_____

## Clean Dishtables

### MODELS:

- |  |  |
|--|--|
| <input type="checkbox"/> <b>BPCDT-24L-16/3</b> | <input type="checkbox"/> <b>BPCDT-24R-16/3</b> |
| <input type="checkbox"/> <b>BPCDT-36L-16/3</b> | <input type="checkbox"/> <b>BPCDT-36R-16/3</b> |
| <input type="checkbox"/> <b>BPCDT-48L-16/3</b> | <input type="checkbox"/> <b>BPCDT-48R-16/3</b> |
| <input type="checkbox"/> <b>BPCDT-60L-16/3</b> | <input type="checkbox"/> <b>BPCDT-60R-16/3</b> |
| <input type="checkbox"/> <b>BPCDT-72L-16/3</b> | <input type="checkbox"/> <b>BPCDT-72R-16/3</b> |
| <input type="checkbox"/> <b>BPCDT-84L-16/3</b> | <input type="checkbox"/> <b>BPCDT-84R-16/3</b> |
| <input type="checkbox"/> <b>BPCDT-96L-16/3</b> | <input type="checkbox"/> <b>BPCDT-96R-16/3</b> |



*left-hand model shown*

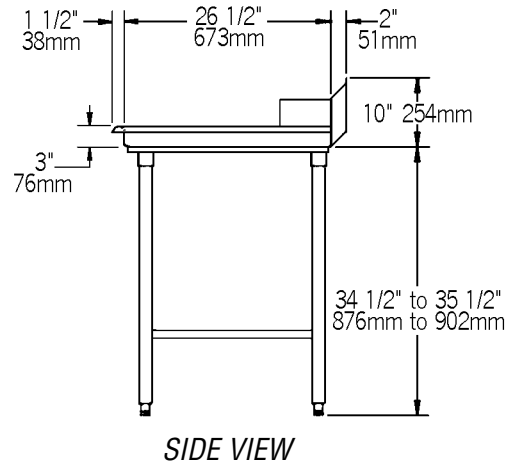
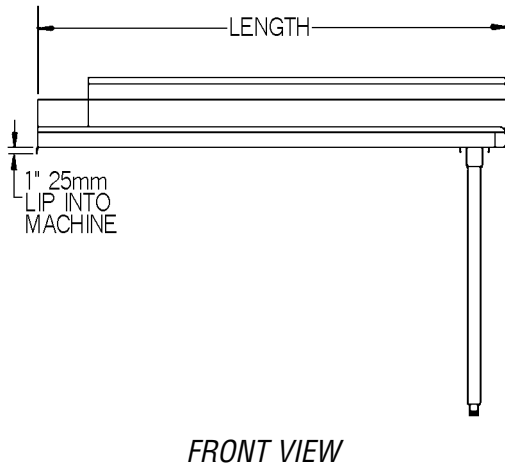
### Design and Construction Features

- 16 gauge type 304 stainless steel.
- 30" (762mm)-wide table furnished in lengths ranging from 24" to 96" (610 to 2438mm).
- Left or right hand operation.
- 1½" (38mm) raised rolled rim on front and end.
- 1½" (41mm)-diameter stainless legs with welded 1" (25mm)-diameter crossbracing.
- 10" (203mm)-high backsplash.
- Adjustable stainless bullet feet with up to 1" (25mm) adjustment.



Item No.:	
Project No.:	
S.I.S. No.:	

## Clean Dishtables



*(right-hand model shown)*

LEFT-HAND model #	RIGHT-HAND model #	length		weight	
		in.	mm	lbs.	kg
<i>BPCDT-24L-16/3</i>	<i>BPCDT-24R-16/3</i>	24"	610	36	16.3
<i>BPCDT-36L-16/3</i>	<i>BPCDT-36R-16/3</i>	36"	914	49	22.2
<i>BPCDT-48L-16/3</i>	<i>BPCDT-48R-16/3</i>	48"	1219	63	29.6
<i>BPCDT-60L-16/3</i>	<i>BPCDT-60R-16/3</i>	60"	1524	77	34.9
<i>BPCDT-72L-16/3</i>	<i>BPCDT-72R-16/3</i>	72"	1829	91	41.3
<i>BPCDT-84L-16/3</i>	<i>BPCDT-84R-16/3</i>	84"	2134	105	47.6
<i>BPCDT-96L-16/3</i>	<i>BPCDT-96R-16/3</i>	96"	2438	119	54.0

## BlendPort®

An Eagle Group Company  
100 Industrial Boulevard, Clayton, DE 19938-8903 USA  
Phone: 800-441-8440 • Fax: 302-653-2065

*Printed in U.S.A.*  
©2018 by Eagle Group  
**Rev. 11/18**