



HEAVY DUTY COUNTERTOP GAS OPEN BURNER RANGES

□ BPHHP-212i □ BPHHP-424i □ BPHHP-636i □ BPHHP-848i



BPHHP-424i

Standard Features

- 30" deep range top
- Heavy gauge, hand-welded, heat-resistant steel combustion chamber
- 30,000 BTUH Burners – two per every 12"
- Up to 240,000 total BTUH in natural or 200,000 in LP gas
- 180°F individually operator controlled burner valves for precise control & low-flame standby position
- All steel exterior
- Stainless steel landing ledge
- Low Profile, counter top design – only 13 7/8" to range surface
- Stainless steel, slide-out crumb tray
- Heavy duty 4" adjustable legs
- 3/4" (19mm) NPT rear gas connection
- Limited 2 year warranty

Design Features

- Gas counter top open burner ranges with a low profile design are on 13 7/8" tall to range surface making them ideal for use on refrigerated cabinets or countertops.
- BPHHP Series Ranges are designed to mix and match with the HD or XX series Char Broilers and HD Series Counter Top Griddles.
- The BPHHP open burner counter top ranges feature exceptionally heavy, removable, individual cast iron top grates. Four widths are available including a 12" wide (305mm) two-burner, 24" wide (610mm) four-burner, 36" wide (915mm) six-burner and a 48" wide (1220mm) eight-burner.
- The BPHHP Series Features two high-performance, cast iron, 30,000 BTUH burners located every 12" with lift-off burner heads for easy cleaning and with individual, operator-controlled valves. Patented valve has a low setting of only 5,000 BTUH for simmering and energy savings.
- The interior combustion chamber is heavy-duty heat resistant 11 and 16 gauge steel, and is hand welded for strength and durability.
- Standard features include stainless and aluminized steel exterior, spatula-width front grease trough, stainless steel landing ledge, and large capacity, slide-out stainless steel crumb tray
- Additional features include individual 3/4" NPT rear gas connection in natural or LP gas, pressure regulator and 4" adjustable heavy-duty legs.
- 2 year limited warranty

Options & Accessories

- Gas connector hoses
- Equipment stands with or without casters

Certifications



HEAVY DUTY COUNTERTOP GAS OPEN BURNER RANGES

PRODUCT SPECIFICATIONS

Gas Information:

Natural or LP.

Must specify type of gas and elevation if over 2000 ft. when ordering.

Gas Supply:

BPHHP-212i	60,000 BTHU	KW 17.57
BPHHP-424i	120,000 BTHU	KW 35.15
BPHHP-636i	180,000 BTHU	KW 52.72
BPHHP-848i	240,000 BTHU	KW 70.30

Overall Dimensions:

BPHHP-212i	12 1/8" W x 30 7/8" D x 13 13/16" H
BPHHP-424i	24 1/8" W x 30 7/8" D x 13 13/16" H
BPHHP-636i	36 1/8" W x 30 7/8" D x 13 13/16" H
BPHHP-848i	48 1/8" W x 30 7/8" D x 13 13/16" H

Grilling Area Dimensions

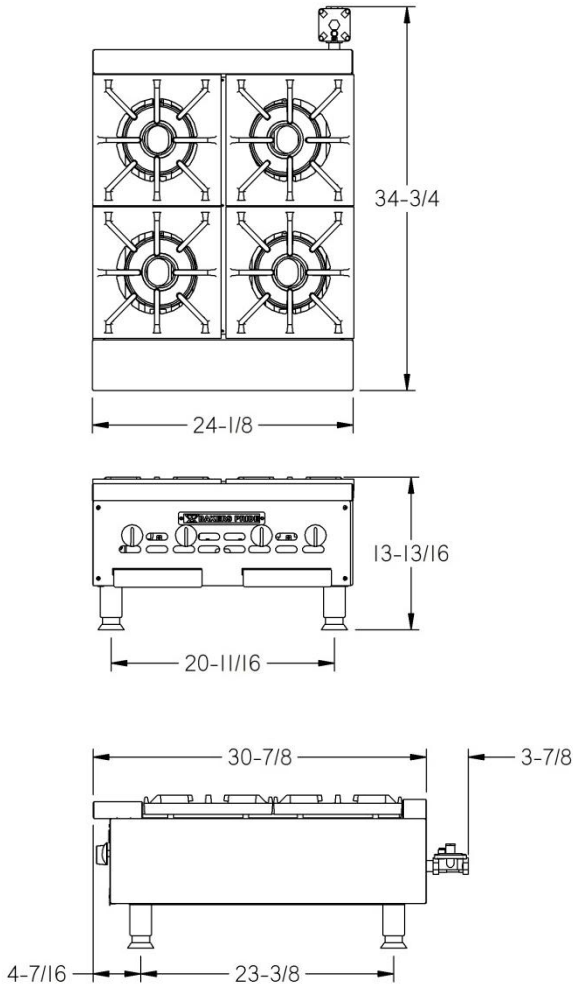
BPHHP-212i	12" x 23 3/4"	2 Burners
BPHHP-424i	24" x 23 3/4"	4 Burners
BPHHP-636i	36" x 23 3/4"	6 Burners
BPHHP-848i	48" x 23 3/4"	8 Burners

Shipping:

BPHHP-212i	88 lbs	16 3/4"W x 35" D x 20 1/4" H
BPHHP-424i	173 lbs	28 3/4"W x 35" D x 20 1/4" H
BPHHP-636i	227 lbs	40 3/4"W x 35" D x 20 1/4" H
BPHHP-848i	260 lbs	52 3/4"W x 35" D x 20 1/4" H

Freight Class: 85

FOB: Standex Dock



Continuous product improvement is a policy of Bakers Pride Oven Company. Therefore, specifications and design are subject to change without notification