

Specification Sheet

Short Form Specifications

BlendPort Non-Adjustable Overshelf, model _____.
 Constructed of 18 gauge type 430 stainless steel, the (single deck, double deck) shelf shall be (12", 18") wide. Shelves are mounted on 1"-diameter stainless steel tubing welded to angles for mounting to table.



single deck overshelf



double deck overshelf

| | |
|--------------|-------|
| Item No.: | _____ |
| Project No.: | _____ |
| S.I.S. No.: | _____ |

Table Accessories— Overshelves

MODELS:

- | | |
|--|--|
| <input type="checkbox"/> BPPOS-1236 | <input type="checkbox"/> BPDOS-1236 |
| <input type="checkbox"/> BPPOS-1248 | <input type="checkbox"/> BPDOS-1248 |
| <input type="checkbox"/> BPPOS-1260 | <input type="checkbox"/> BPDOS-1260 |
| <input type="checkbox"/> BPPOS-1272 | <input type="checkbox"/> BPDOS-1272 |
| <input type="checkbox"/> BPPOS-1296 | <input type="checkbox"/> BPDOS-1296 |
| <input type="checkbox"/> BPPOS-1836 | <input type="checkbox"/> BPDOS-1836 |
| <input type="checkbox"/> BPPOS-1848 | <input type="checkbox"/> BPDOS-1848 |
| <input type="checkbox"/> BPPOS-1860 | <input type="checkbox"/> BPDOS-1860 |
| <input type="checkbox"/> BPPOS-1872 | <input type="checkbox"/> BPDOS-1872 |
| <input type="checkbox"/> BPPOS-1896 | <input type="checkbox"/> BPDOS-1896 |

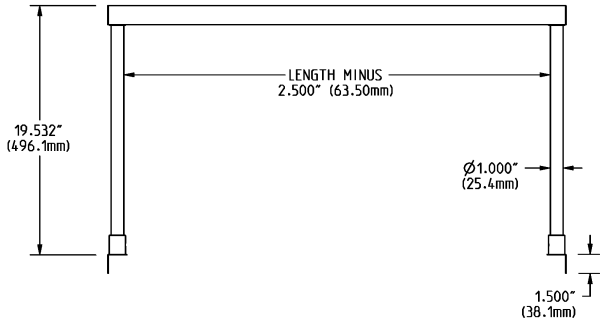
Features

- All type 430 stainless steel construction.
- 1" (25mm)-diameter stainless steel tubular base legs.
- 1½" (38mm)-diameter 180° rolled edge on front and rear of overshelves.
- Ends turned down 90° with hemmed edges.
- 12" and 18" (305 and 457mm) widths.

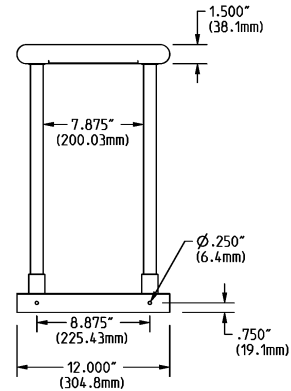


Item No.: _____
 Project No.: _____
 S.I.S. No.: _____

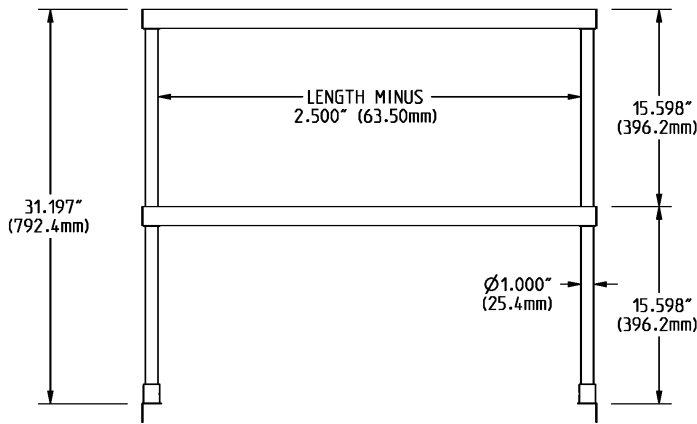
Table Accessories—Overshelves



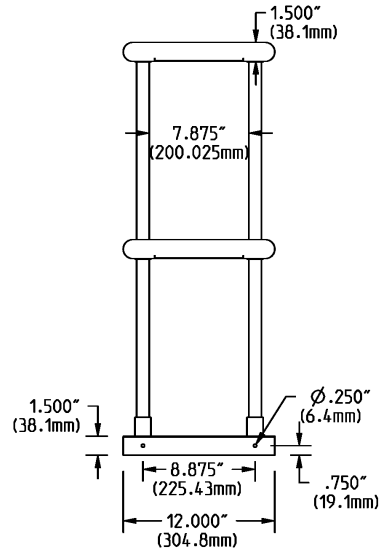
FRONT VIEW



SIDE VIEW



FRONT VIEW



SIDE VIEW

SINGLE DECK OVERSHELVES

DOUBLE DECK OVERSHELVES

| 12" (305mm) WIDE | | | 18" (457mm) WIDE | | | 12" (305mm) WIDE | | | 18" (457mm) WIDE | | | # of legs | length | |
|------------------|-------------|-----------|------------------|-------------|-----------|------------------|-------------|-----------|------------------|-------------|-----------|-----------|--------|------|
| model # | weight lbs. | weight kg | model # | weight lbs. | weight kg | model # | weight lbs. | weight kg | model # | weight lbs. | weight kg | | in. | mm |
| BPOS-1236 | 16 | 7.3 | BPOS-1836 | 23 | 10.4 | BPDOS-1236 | 32 | 14.5 | BPDOS-1836 | 45 | 20.4 | 4 | 36" | 914 |
| BPOS-1248 | 25 | 11.3 | BPOS-1848 | 30 | 13.6 | BPDOS-1248 | 40 | 18.1 | BPDOS-1848 | 70 | 31.8 | 4 | 48" | 1219 |
| BPOS-1260 | 25 | 11.3 | BPOS-1860 | 37 | 16.8 | BPDOS-1260 | 48 | 21.8 | BPDOS-1860 | 81 | 36.7 | 4 | 60" | 1524 |
| BPOS-1272 | 30 | 13.6 | BPOS-1872 | 42 | 19.1 | BPDOS-1272 | 60 | 27.2 | BPDOS-1872 | 94 | 42.6 | 4 | 72" | 1829 |
| BPOS-1296 | 38 | 17.2 | BPOS-1896 | 51 | 23.1 | BPDOS-1296 | 76 | 34.5 | BPDOS-1896 | 106 | 48.1 | 6 | 96" | 2438 |