

# Specification Sheet

## Short Form Specifications

BlendPort Non-Adjustable Overshelf, model \_\_\_\_\_.  
 Constructed of 18 gauge type 430 stainless steel, the (single deck, double deck) shelf shall be (12", 18") wide. Shelves are mounted on 1"-diameter stainless steel tubing welded to angles for mounting to table.



*single deck overshelf*



*double deck overshelf*

Item No.:	_____
Project No.:	_____
S.I.S. No.:	_____

## Table Accessories— Overshelves

### MODELS:

- |  |  |
|--|--|
| <input type="checkbox"/> <b>BPPOS-1236</b> | <input type="checkbox"/> <b>BPDOS-1236</b> |
| <input type="checkbox"/> <b>BPPOS-1248</b> | <input type="checkbox"/> <b>BPDOS-1248</b> |
| <input type="checkbox"/> <b>BPPOS-1260</b> | <input type="checkbox"/> <b>BPDOS-1260</b> |
| <input type="checkbox"/> <b>BPPOS-1272</b> | <input type="checkbox"/> <b>BPDOS-1272</b> |
| <input type="checkbox"/> <b>BPPOS-1296</b> | <input type="checkbox"/> <b>BPDOS-1296</b> |
| <input type="checkbox"/> <b>BPPOS-1836</b> | <input type="checkbox"/> <b>BPDOS-1836</b> |
| <input type="checkbox"/> <b>BPPOS-1848</b> | <input type="checkbox"/> <b>BPDOS-1848</b> |
| <input type="checkbox"/> <b>BPPOS-1860</b> | <input type="checkbox"/> <b>BPDOS-1860</b> |
| <input type="checkbox"/> <b>BPPOS-1872</b> | <input type="checkbox"/> <b>BPDOS-1872</b> |
| <input type="checkbox"/> <b>BPPOS-1896</b> | <input type="checkbox"/> <b>BPDOS-1896</b> |

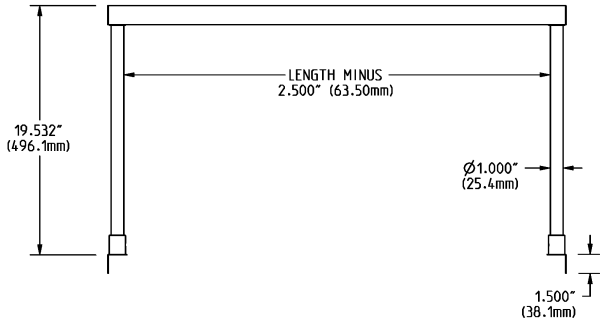
### Features

- All type 430 stainless steel construction.
- 1" (25mm)-diameter stainless steel tubular base legs.
- 1½" (38mm)-diameter 180° rolled edge on front and rear of overshelves.
- Ends turned down 90° with hemmed edges.
- 12" and 18" (305 and 457mm) widths.

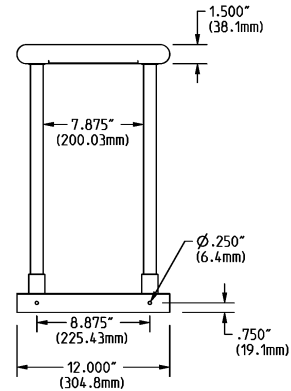


Item No.: \_\_\_\_\_  
 Project No.: \_\_\_\_\_  
 S.I.S. No.: \_\_\_\_\_

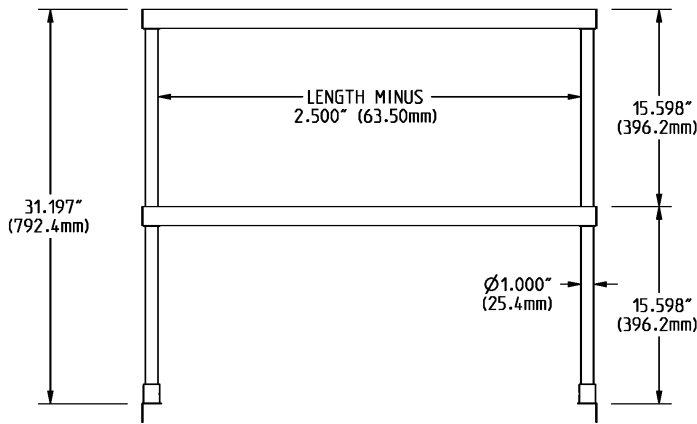
## Table Accessories—Overshelves



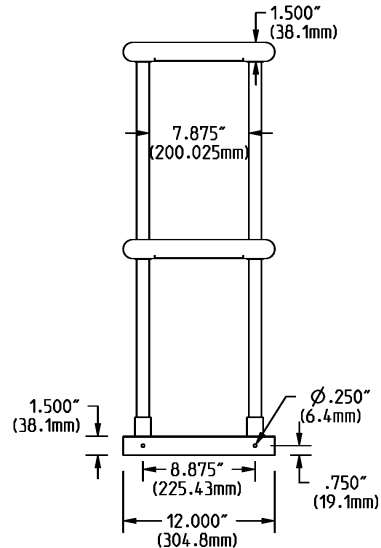
FRONT VIEW



SIDE VIEW



FRONT VIEW



SIDE VIEW

### SINGLE DECK OVERSHELVES

### DOUBLE DECK OVERSHELVES

12" (305mm) WIDE			18" (457mm) WIDE			12" (305mm) WIDE			18" (457mm) WIDE			# of legs	length	
model #	weight lbs.	weight kg	model #	weight lbs.	weight kg	model #	weight lbs.	weight kg	model #	weight lbs.	weight kg		in.	mm
BPOS-1236	16	7.3	BPOS-1836	23	10.4	BPDOS-1236	32	14.5	BPDOS-1836	45	20.4	4	36"	914
BPOS-1248	25	11.3	BPOS-1848	30	13.6	BPDOS-1248	40	18.1	BPDOS-1848	70	31.8	4	48"	1219
BPOS-1260	25	11.3	BPOS-1860	37	16.8	BPDOS-1260	48	21.8	BPDOS-1860	81	36.7	4	60"	1524
BPOS-1272	30	13.6	BPOS-1872	42	19.1	BPDOS-1272	60	27.2	BPDOS-1872	94	42.6	4	72"	1829
BPOS-1296	38	17.2	BPOS-1896	51	23.1	BPDOS-1296	76	34.5	BPDOS-1896	106	48.1	6	96"	2438