

Short Form Specifications

Eagle Back Bar Refrigeration, model _____. Steel cabinet exterior wrapped in durable black vinyl. Interior utilizes stainless steel walls, floor and ceiling. Glass doors are easily interchangeable. 120/60/1-phase electricity. Utilizes 15-amp dedicated outlet. Cord and NEMA 5-15P plug. Maintains temperature of 33°F to 38°F. Easy access to condenser.

Item #:	_____
Model #:	_____
Project #:	_____
SIS #:	_____

EG8184 Rev. 12/16

Design & Construction Features

- Stainless steel top.
- Black vinyl-clad steel cabinet.
- Glass doors with extruded pull handle.
- Doors are hinged and provided with key lock.
- Galvanized interior lining with stainless steel floor.
- Lengths available range from 48" to 90".
- Self-contained refrigeration.
- Maintains temperature between 33°F and 38°F.

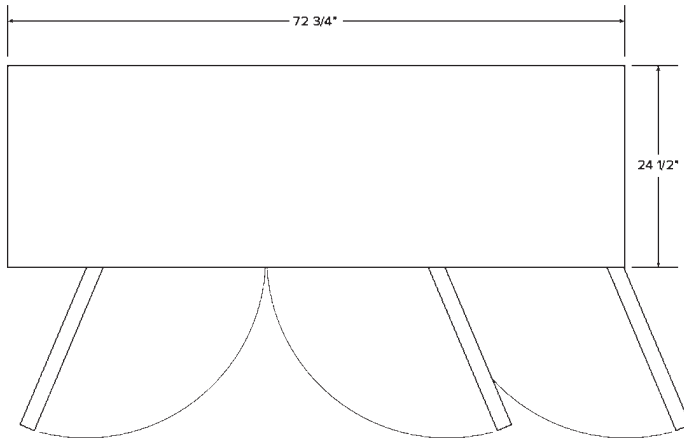
New **Back Bar Refrigeration**
 with glass doors



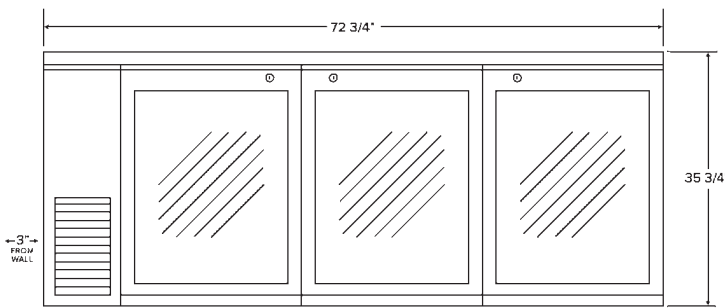
Back bar coolers are designed to store and refrigerate all of your restaurant's finest beverages. Our selection of glass door models accommodate a wide range of bar setups. The glass doors on the units allow guests to easily preview your offerings, while the durable steel cabinet—wrapped in black vinyl exterior—offers a sleek, clean appearance.

For custom configuration or fabrication needs, contact the **SpecFAB[®] Division**.
 Phone: (302) 653-3000. FAX: (302) 653-2065.
 E-mail: quotes@eaglegrp.com

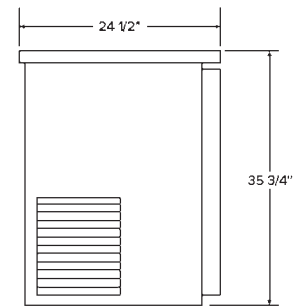
Back Bar Refrigeration



TOP VIEW



FRONT VIEW



SIDE VIEW

(model #BPR-UBB-24-72G shown)

width in. mm	length in. mm	height in. mm	no. of doors	no. of shelves	capacities			electrical data*	model #	NET price			
					12-oz. cans	12-oz. bottles	1/2-barrel kegs						
24 3/4"	619	48 3/4"	1238	35 3/4"	902	2	4	546	336	2	1/3-HP, 120V, 6.4A	BPR-UBB-24-48G	\$1555
24 3/4"	619	60 3/4"	1543	35 3/4"	908	2	4	546	456	2	1/3-HP, 120V, 7.5A	BPR-UBB-24-60G	1777
27 3/4"	705	69 1/4"	1756	36 1/4"	921	2	4	1,134	594	3	1/3-HP, 120V, 8.0A	BPR-UBB-3G	1999
24 3/4"	619	72 3/4"	1848	35 3/4"	908	3	6	966	576	3	1/3-HP, 120V, 8.0A	BPR-UBB-24-72G	1944
27 3/4"	705	90 3/4"	2296	36 1/4"	921	3	6	1,132	834	4	1/2-HP, 120V, 10A	BPR-UBB-4G	2388

* All units are 60-cycle single-phase.