

Specification Sheet

Short Form Specifications

BlendPort Soiled Dishtables, model _____. Top to be 16/304 stainless steel with all seams welded, ground smooth, and polished. Front and end to have 3"-high upturn with a 1½"-diameter rolled edge. Stainless channels welded to underside, with welded stainless leg gussets. Backsplash is 10"-high with holes for an 8" OC splash-mount faucet. 20¾" opening for dishwasher. 20" x 20" x 5" deep stainless steel prerinse sink with basket drain. Legs to be 1½" O.D. stainless tubing with 1" diameter crossbracing and adjustable stainless bullet feet.



left-hand model shown

Item No.: _____
 Project No.: _____
 S.I.S. No.: _____

Soiled Dishtables

MODELS:

- BPSDT-36L-16/3**
- BPSDT-48L-16/3**
- BPSDT-60L-16/3**
- BPSDT-72L-16/3**
- BPSDT-84L-16/3**
- BPSDT-96L-16/3**
- BPSDT-36R-16/3**
- BPSDT-48R-16/3**
- BPSDT-60R-16/3**
- BPSDT-72R-16/3**
- BPSDT-84R-16/3**
- BPSDT-96R-16/3**

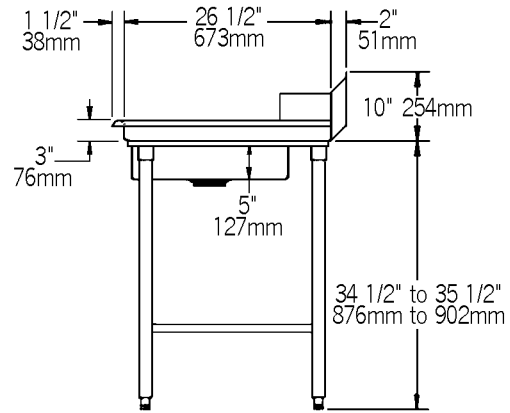
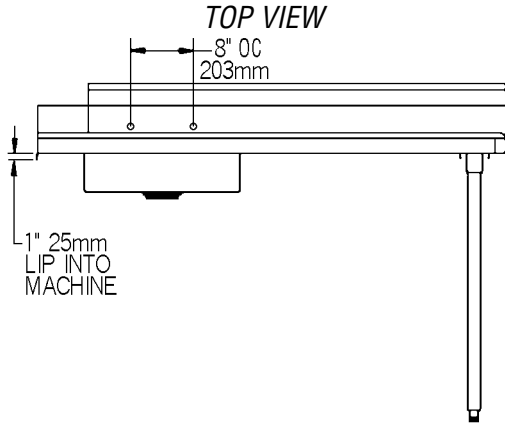
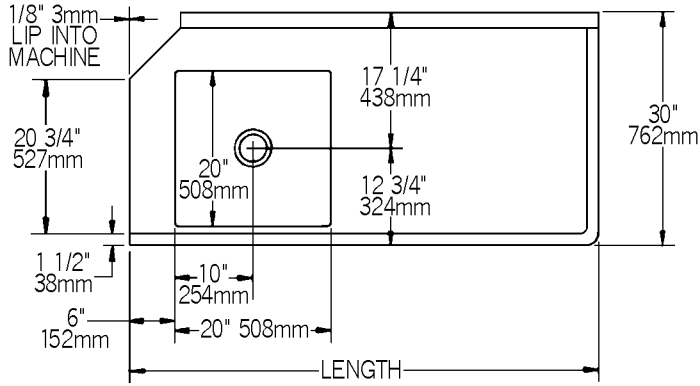
Design and Construction Features

- 16 gauge type 304 stainless steel.
- 30" (762mm)-wide table with choice of six lengths.
- Left or right hand operation.
- 20" x 20" x 5" (508 x 508 x 127mm) prerinse sink punched for standard basket drain.
- Holes supplied for splash-mount faucet.
- Adjustable stainless feet with up to 1" (25mm) adjustment.
- 1½" (41mm)-diameter stainless legs with welded 1" (25mm)-diameter crossbrace.



Item No.:	
Project No.:	
S.I.S. No.:	

Soiled Dishtables



FRONT VIEW

SIDE VIEW

(right-hand model shown)

LEFT-HAND model #	RIGHT-HAND model #	length		weight	
		in.	mm	lbs.	kg
<i>BPSDT-36L-16/3</i>	<i>BPSDT-36R-16/3</i>	36"	914	49	22.2
<i>BPSDT-48L-16/3</i>	<i>BPSDT-48R-16/3</i>	48"	1219	63	29.6
<i>BPSDT-60L-16/3</i>	<i>BPSDT-60R-16/3</i>	60"	1524	77	34.9
<i>BPSDT-72L-16/3</i>	<i>BPSDT-72R-16/3</i>	72"	1829	91	41.3
<i>BPSDT-84L-16/3</i>	<i>BPSDT-84R-16/3</i>	84"	2134	105	47.6
<i>BPSDT-96L-16/3</i>	<i>BPSDT-96R-16/3</i>	96"	2438	119	54.0

BlendPort®

An Eagle Group Company
100 Industrial Boulevard, Clayton, DE 19938-8903 USA
Phone: 800-441-8440 • Fax: 302-653-2065

Printed in U.S.A.
©2018 by Eagle Group
Rev. 11/18