

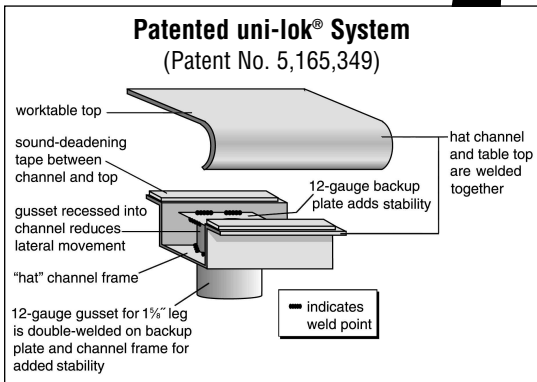
Specification Sheet

Short Form Specifications

Blendport worktables, Deluxe series, model _____.
Top constructed of 16 gauge 300 series stainless steel with 1½" roll on front, 4½" backsplash, and sides turned down 90°. Adjustable undershelf constructed of heavy gauge type 430 stainless steel with marine edge. Top reinforced with hat channels and sound deadened. Constructed with uni-lok® patented gusset system with the gussets recessed into the hat channels to reduce lateral movement. 1½"-diameter stainless steel legs, with galvanized gussets and 1" stainless steel adjustable bullet feet.



worktable with backsplash and adjustable undershelf



Item No.: _____
Project No.: _____
S.I.S. No.: _____

Worktables with Backsplash and Stainless Steel Base with Undershelf —Deluxe Series

MODELS:

- | | |
|---|---|
| <input type="checkbox"/> BPT-2424SEB-BS | <input type="checkbox"/> BPT-3024SEB-BS |
| <input type="checkbox"/> BPT-2430SEB-BS | <input type="checkbox"/> BPT-3030SEB-BS |
| <input type="checkbox"/> BPT-2436SEB-BS | <input type="checkbox"/> BPT-3036SEB-BS |
| <input type="checkbox"/> BPT-2448SEB-BS | <input type="checkbox"/> BPT-3048SEB-BS |
| <input type="checkbox"/> BPT-2460SEB-BS | <input type="checkbox"/> BPT-3060SEB-BS |
| <input type="checkbox"/> BPT-2472SEB-BS | <input type="checkbox"/> BPT-3072SEB-BS |
| <input type="checkbox"/> BPT-2484SEB-BS | <input type="checkbox"/> BPT-3084SEB-BS |
| <input type="checkbox"/> BPT-2496SEB-BS | <input type="checkbox"/> BPT-3096SEB-BS |

Tabletop

- Patented uni-lok® gusset system (patent #5,165,349): gussets are recessed into hat channel, reducing lateral movement.
- Top reinforced with welded-on hat channel.
- Sound-deadened between top and channels.
- 4½" (114mm)-high 90° backsplash with 1" (25mm) turn at 90°.
- 1½" (38mm)-diameter 180° rolled edge on front. Ends are turned down 90°, providing for flush installations when required.
- 16 gauge 300 series polished stainless steel.

Adjustable Undershelf

- Heavy gauge stainless steel.
- Gusset welded to each corner.
- Heavy duty marine edge design.

Legs—1½" (41mm)-diameter

- Tables 96" (2438mm) and longer come with six legs or more.
- Heavy gauge stainless steel.
- 1" (25mm) adjustable stainless steel feet.

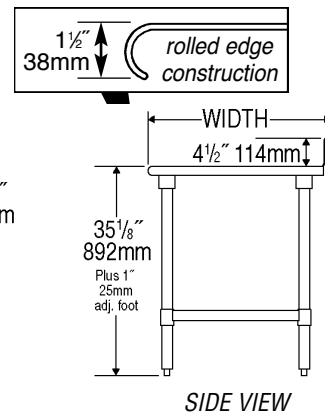
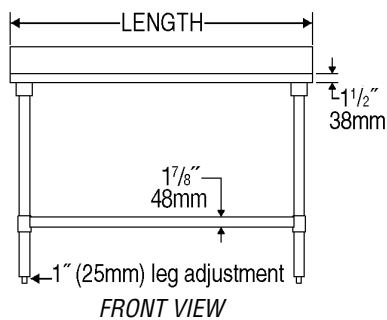
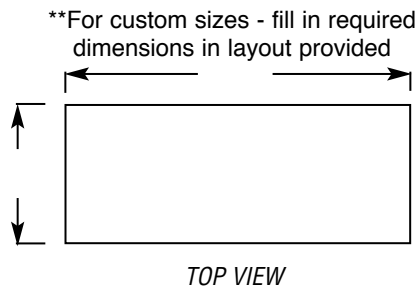
Options / Accessories

- | | |
|--|--|
| <input type="checkbox"/> Drawer | <input type="checkbox"/> Duplex receptacles |
| <input type="checkbox"/> Lock | <input type="checkbox"/> Pot rack |
| <input type="checkbox"/> Casters | <input type="checkbox"/> Sink |
| <input type="checkbox"/> Stainless steel bullet feet | <input type="checkbox"/> Additional undershelf |
| <input type="checkbox"/> Overshelves | <input type="checkbox"/> Stabilizer Bar (for 30"- and 36"-wide tables) |
| <input type="checkbox"/> Power strip (for material handling) | |



Item No.:	
Project No.:	
S.I.S. No.:	

Worktables with Backsplash and Stainless Steel Base with Undershelf—Deluxe Series



model #	# of legs	width		length		weight	
		in.	mm	in.	mm	lbs.	kg
<i>BPT-2424SEB-BS</i>	4	24"	610	24"	610	43	19.5
<i>BPT-2430SEB-BS</i>	4	24"	610	30"	762	48	21.8
<i>BPT-2436SEB-BS</i>	4	24"	610	36"	914	53	24.0
<i>BPT-2448SEB-BS</i>	4	24"	610	48"	1219	63	28.6
<i>BPT-2460SEB-BS</i>	4	24"	610	60"	1524	73	33.1
<i>BPT-2472SEB-BS</i>	4	24"	610	72"	1829	85	38.6
<i>BPT-2484SEB-BS</i>	4	24"	610	84"	2134	97	44.0
<i>BPT-2496SEB-BS</i>	6	24"	610	96"	2438	114	51.7
<i>BPT-3024SEB-BS</i>	4	30"	762	24"	610	45	20.4
<i>BPT-3030SEB-BS</i>	4	30"	762	30"	762	50	22.7
<i>BPT-3036SEB-BS</i>	4	30"	762	36"	914	53	24.0
<i>BPT-3048SEB-BS</i>	4	30"	762	48"	1219	70	31.8
<i>BPT-3060SEB-BS</i>	4	30"	762	60"	1524	81	36.7
<i>BPT-3072SEB-BS</i>	4	30"	762	72"	1829	94	42.6
<i>BPT-3084SEB-BS</i>	4	30"	762	84"	2134	108	49.0
<i>BPT-3096SEB-BS</i>	6	30"	762	96"	2438	130	59.0