

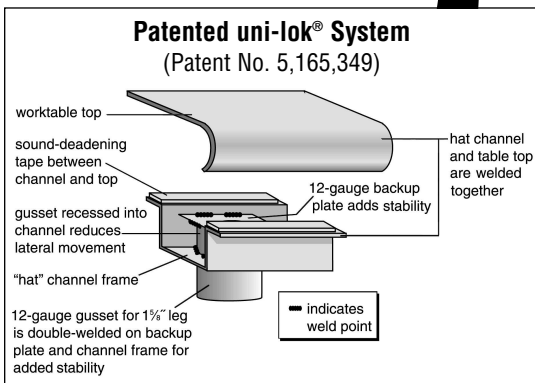
Specification Sheet

Short Form Specifications

Blendport worktables, Budget series model _____ . Top constructed of heavy gauge, type 430 stainless steel with 1½" roll on front and rear, and sides turned down 90°. Undershef is adjustable and constructed of heavy gauge galvanized. Top reinforced with welded hat channels, and sound deadened. Constructed with uni-lok® patented gusset system with the gussets recessed into the hat channels to reduce lateral movement. Legs are 1½" O.D. galvanized tubing with galvanized gussets, and 1" hi-impact plastic bullet feet.



worktable with flat top and undershef



Item No.: _____
Project No.: _____
S.I.S. No.: _____

Worktables with Flat Top and Galvanized Base with Adjustable Undershef—Budget Series

MODELS:

- | | | |
|------------------------------------|------------------------------------|------------------------------------|
| <input type="checkbox"/> BPT-2424B | <input type="checkbox"/> BPT-3024B | <input type="checkbox"/> BPT-3096B |
| <input type="checkbox"/> BPT-2430B | <input type="checkbox"/> BPT-3030B | <input type="checkbox"/> BPT-3636B |
| <input type="checkbox"/> BPT-2436B | <input type="checkbox"/> BPT-3036B | <input type="checkbox"/> BPT-3648B |
| <input type="checkbox"/> BPT-2448B | <input type="checkbox"/> BPT-3048B | <input type="checkbox"/> BPT-3660B |
| <input type="checkbox"/> BPT-2460B | <input type="checkbox"/> BPT-3060B | <input type="checkbox"/> BPT-3672B |
| <input type="checkbox"/> BPT-2472B | <input type="checkbox"/> BPT-3072B | <input type="checkbox"/> BPT-3684B |
| <input type="checkbox"/> BPT-2484B | <input type="checkbox"/> BPT-3084B | <input type="checkbox"/> BPT-3696B |
| <input type="checkbox"/> BPT-2496B | | |

Tabletop

- Patented uni-lok® gusset system (patent #5,165,349): gussets are recessed into hat channel, reducing lateral movement.
- Top reinforced with welded-on hat channel.
- Sound-deadened between top and channels.
- 1½" (38mm)-diameter 180° rolled edges on front and rear. Ends are turned down 90° providing for flush installations when required.
- Heavy gauge type 430 polished stainless steel.

Adjustable Undershef

- Heavy gauge, galvanized.
- Gusset welded to each corner.

Legs—1½" (41mm)-diameter

- Tables 96" (2438mm) and longer come with six legs or more.
- Heavy gauge galvanized steel.
- 1" (25mm) adjustable hi-impact plastic feet.

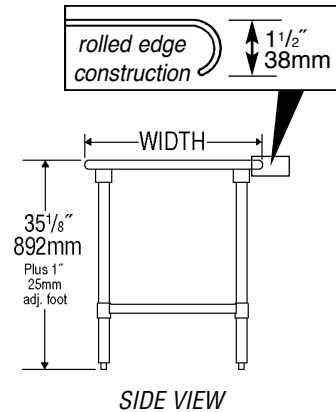
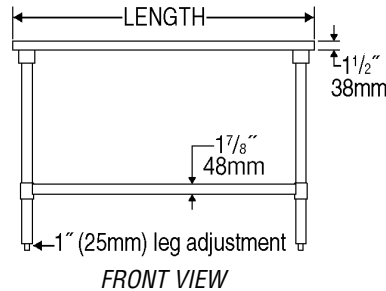
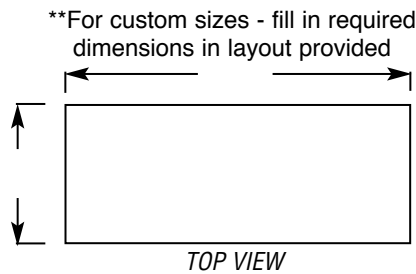
Options / Accessories

- | | |
|--|--|
| <input type="checkbox"/> Drawer | <input type="checkbox"/> Duplex receptacles |
| <input type="checkbox"/> Lock | <input type="checkbox"/> Pot rack |
| <input type="checkbox"/> Casters | <input type="checkbox"/> Sink |
| <input type="checkbox"/> Stainless steel bullet feet | <input type="checkbox"/> Additional undershef |
| <input type="checkbox"/> Overshelves | <input type="checkbox"/> Stabilizer Bar (for 30"- and 36"-wide tables) |



Item No.: _____
 Project No.: _____
 S.I.S. No.: _____

Worktables with Flat Top and Galvanized Base with Adjustable Undershef—Budget Series



model #	# of legs	width		length		weight	
		in.	mm	in.	mm	lbs.	kg
BPT-2424B	4	24"	610	24"	610	40	18.1
BPT-2430B	4	24"	610	30"	762	45	20.4
BPT-2436B	4	24"	610	36"	914	50	22.7
BPT-2448B	4	24"	610	48"	1219	60	27.2
BPT-2460B	4	24"	610	60"	1524	70	31.8
BPT-2472B	4	24"	610	72"	1829	80	36.3
BPT-2484B	4	24"	610	84"	2134	90	40.8
BPT-2496B	6	24"	610	96"	2438	100	45.4
BPT-3024B	4	30"	762	24"	610	45	20.4
BPT-3030B	4	30"	762	30"	762	46	20.9
BPT-3036B	4	30"	762	36"	914	52	23.6
BPT-3048B	4	30"	762	48"	1219	64	29.0
BPT-3060B	4	30"	762	60"	1524	76	34.5
BPT-3072B	4	30"	762	72"	1829	84	38.1
BPT-3084B	4	30"	762	84"	2134	96	43.6
BPT-3096B	6	30"	762	96"	2438	108	49.0
BPT-3636B	4	36"	914	36"	914	60	27.2
BPT-3648B	4	36"	914	48"	1219	70	31.8
BPT-3660B	4	36"	914	60"	1524	82	37.2
BPT-3672B	4	36"	914	72"	1829	96	43.6
BPT-3684B	4	36"	914	84"	2134	108	49.0
BPT-3696B	6	36"	914	96"	2438	120	54.4