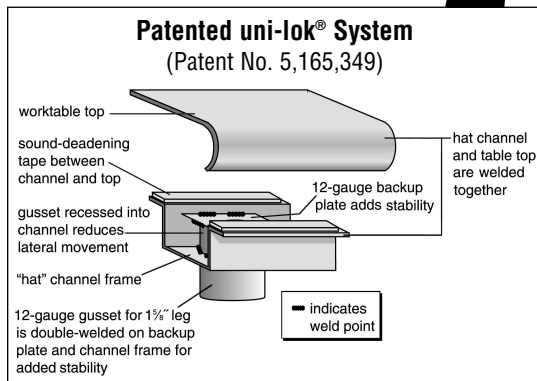


Specification Sheet

Short Form Specifications

Blendport worktables, Deluxe series, model _____.
Top constructed of 16 gauge 300 series stainless steel with 1½" roll on front, 1½" rear upturn, and sides turned down 90°. Undershef is adjustable and constructed of heavy gauge galvanized. Top reinforced with welded hat channels, and sound deadened. Constructed with uni-lok® patented gusset system, with the gussets recessed into the hat channels to reduce lateral movement. Legs are 1½" O.D. galvanized tubing with galvanized gussets, and 1" hi-impact plastic bullet feet.



| | |
|--------------|-------|
| Item No.: | _____ |
| Project No.: | _____ |
| S.I.S. No.: | _____ |

Worktables with Rear Upturn and Galvanized Base with Adjustable Undershef —Deluxe Series

MODELS:

- | | | |
|--|--|--|
| <input type="checkbox"/> BPT-2424EB-UT | <input type="checkbox"/> BPT-3024EB-UT | <input type="checkbox"/> BPT-3636EB-UT |
| <input type="checkbox"/> BPT-2430EB-UT | <input type="checkbox"/> BPT-3030EB-UT | <input type="checkbox"/> BPT-3648EB-UT |
| <input type="checkbox"/> BPT-2436EB-UT | <input type="checkbox"/> BPT-3036EB-UT | <input type="checkbox"/> BPT-3660EB-UT |
| <input type="checkbox"/> BPT-2448EB-UT | <input type="checkbox"/> BPT-3048EB-UT | <input type="checkbox"/> BPT-3672EB-UT |
| <input type="checkbox"/> BPT-2460EB-UT | <input type="checkbox"/> BPT-3060EB-UT | <input type="checkbox"/> BPT-3684EB-UT |
| <input type="checkbox"/> BPT-2472EB-UT | <input type="checkbox"/> BPT-3072EB-UT | <input type="checkbox"/> BPT-3696EB-UT |
| <input type="checkbox"/> BPT-2484EB-UT | <input type="checkbox"/> BPT-3084EB-UT | |
| <input type="checkbox"/> BPT-2496EB-UT | <input type="checkbox"/> BPT-3096EB-UT | |

Tabletop

- Top reinforced with welded-on hat channel.
- Sound-deadened between top and channels.
- 1½" (38mm) 90° rear upturn with radius at intersection.
- 1½" (38mm)-diameter 180° rolled edge on front. Ends are turned down 90° providing for flush installations when required.
- 16 gauge 300 series polished stainless steel.

Adjustable Undershef

- Heavy gauge, galvanized.

Legs—1½" (41mm)-diameter

- Units 96" to 120" (2438 to 3048mm) long come with six legs; Units 132" and 144" (3353 and 3658mm) come with eight legs.
- Patented uni-lok® gusset system (patent #5,165,349) is recessed into channel, reducing lateral movement.
- Heavy gauge galvanized steel.
- Galvanized gussets.
- 1" (25mm) adjustable hi-impact plastic feet.

Options / Accessories

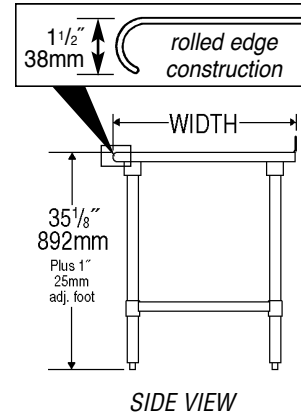
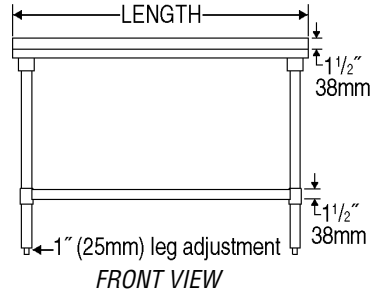
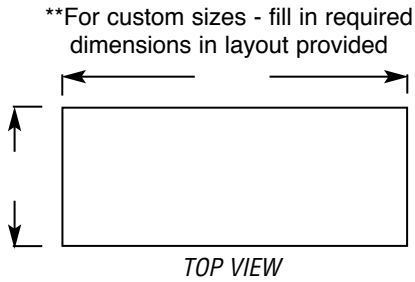
- | | |
|--|---|
| <input type="checkbox"/> Drawer | <input type="checkbox"/> Duplex receptacles |
| <input type="checkbox"/> Lock | <input type="checkbox"/> Pot rack |
| <input type="checkbox"/> Casters | <input type="checkbox"/> Sink |
| <input type="checkbox"/> Stainless steel bullet feet | <input type="checkbox"/> Additional undershef |
| <input type="checkbox"/> Stainless steel gussets | <input type="checkbox"/> Stabilizer Bar (for 30" and 36"-wide tables) |
| <input type="checkbox"/> Overshelves | |





Item No.: _____
 Project No.: _____
 S.I.S. No.: _____

Worktables with Rear Uprturn and Galvanized Base with Adjustable Undersheff—Deluxe Series



| model # | # of legs | width | | length | | weight | |
|---------------|-----------|-------|-----|--------|------|--------|------|
| | | in. | mm | in. | mm | lbs. | kg |
| BPT-2424EB-UT | 4 | 24" | 610 | 24" | 610 | 40 | 18.1 |
| BPT-2430EB-UT | 4 | 24" | 610 | 30" | 762 | 45 | 20.4 |
| BPT-2436EB-UT | 4 | 24" | 610 | 36" | 914 | 50 | 22.7 |
| BPT-2448EB-UT | 4 | 24" | 610 | 48" | 1219 | 60 | 27.2 |
| BPT-2460EB-UT | 4 | 24" | 610 | 60" | 1524 | 70 | 31.8 |
| BPT-2472EB-UT | 4 | 24" | 610 | 72" | 1829 | 80 | 36.3 |
| BPT-2484EB-UT | 4 | 24" | 610 | 84" | 2134 | 90 | 40.8 |
| BPT-2496EB-UT | 6 | 24" | 610 | 96" | 2438 | 100 | 45.4 |
| BPT-3024EB-UT | 4 | 30" | 762 | 24" | 610 | 45 | 20.4 |
| BPT-3030EB-UT | 4 | 30" | 762 | 30" | 762 | 50 | 22.7 |
| BPT-3036EB-UT | 4 | 30" | 762 | 36" | 914 | 55 | 24.9 |
| BPT-3048EB-UT | 4 | 30" | 762 | 48" | 1219 | 65 | 29.5 |
| BPT-3060EB-UT | 4 | 30" | 762 | 60" | 1524 | 75 | 34.0 |
| BPT-3072EB-UT | 4 | 30" | 762 | 72" | 1829 | 85 | 38.6 |
| BPT-3084EB-UT | 4 | 30" | 762 | 84" | 2134 | 95 | 43.1 |
| BPT-3096EB-UT | 6 | 30" | 762 | 96" | 2438 | 105 | 47.6 |
| BPT-3636EB-UT | 4 | 36" | 914 | 36" | 914 | 60 | 27.2 |
| BPT-3648EB-UT | 4 | 36" | 914 | 48" | 1219 | 75 | 34.0 |
| BPT-3660EB-UT | 4 | 36" | 914 | 60" | 1524 | 85 | 36.8 |
| BPT-3672EB-UT | 4 | 36" | 914 | 72" | 1829 | 95 | 43.1 |
| BPT-3684EB-UT | 4 | 36" | 914 | 84" | 2134 | 105 | 47.6 |
| BPT-3696EB-UT | 6 | 36" | 914 | 96" | 2438 | 115 | 52.2 |

BlendPort®

An Eagle Group Company
 100 Industrial Boulevard, Clayton, DE 19938-8903 USA
 Phone: 800-441-8440 • Fax: 302-653-2065

Printed in U.S.A.
 ©2018 by Eagle Group
 Rev. 09/18

Although every attempt has been made to ensure the accuracy of the information provided, we cannot be held responsible for typographical or printing errors. Information and specifications are subject to change without notice. Please confirm at time of order.