

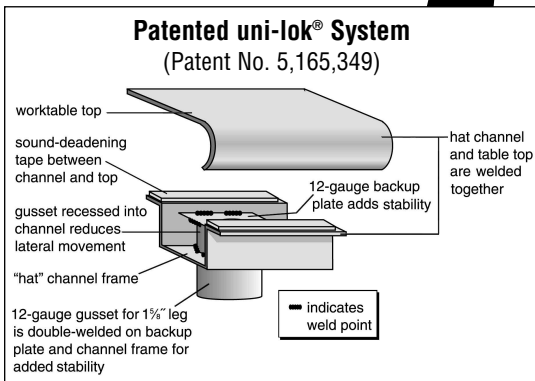
Specification Sheet

Short Form Specifications

Blendport worktables, Budget series, model _____.
Top constructed of heavy gauge type 430 stainless steel with 1½" roll on front and rear, and sides turned down 90°. Open front with 1¼" O.D. stainless steel tubular crossbracing on sides and rear. Top reinforced with welded hat channels and sound deadened. Constructed with uni-lok® patented gusset system with the gussets recessed into the hat channels to reduce lateral movement. Legs 1½" O.D., stainless steel tubing with stainless steel gussets and 1" stainless steel adjustable bullet feet.



worktable with flat top and tubular base
— shown with optional drawer



Item No.: _____
Project No.: _____
S.I.S. No.: _____

Worktables with Flat Top and Stainless Steel Tubular Base —Budget Series

MODELS:

- | | | |
|--------------------------------------|--------------------------------------|--------------------------------------|
| <input type="checkbox"/> BPT-2424STB | <input type="checkbox"/> BPT-3024STB | <input type="checkbox"/> BPT-3096STB |
| <input type="checkbox"/> BPT-2430STB | <input type="checkbox"/> BPT-3030STB | <input type="checkbox"/> BPT3636STB |
| <input type="checkbox"/> BPT-2436STB | <input type="checkbox"/> BPT-3036STB | <input type="checkbox"/> BPT-3648STB |
| <input type="checkbox"/> BPT-2448STB | <input type="checkbox"/> BPT-3048STB | <input type="checkbox"/> BPT-3660STB |
| <input type="checkbox"/> BPT-2460STB | <input type="checkbox"/> BPT-3060STB | <input type="checkbox"/> BPT-3672STB |
| <input type="checkbox"/> BPT-2472STB | <input type="checkbox"/> BPT-3072STB | <input type="checkbox"/> BPT-3684STB |
| <input type="checkbox"/> BPT-2484STB | <input type="checkbox"/> BPT-3084STB | <input type="checkbox"/> BPT-3696STB |
| <input type="checkbox"/> BPT-2496STB | | |

Tabletop

- Patented uni-lok® gusset system (patent #5,165,349): gussets are recessed into hat channel, reducing lateral movement.
- Top reinforced with welded-on hat channel.
- Sound-deadened between top and channels.
- 1½" (38mm)-diameter 180° rolled edges on front and rear. Ends are turned down 90°, providing for flush installations when required.
- Heavy gauge type 430 polished stainless steel.

Crossbracing—1¼" (38mm)-diameter

- Heavy gauge stainless steel.
- Aluminum castings join crossbraces, legs and rear brace.

Legs—1½" (41mm)-diameter

- Tables 96" (2438mm) and longer come with six legs or more.
- Heavy gauge stainless steel.
- 1" (25mm) adjustable stainless steel feet.

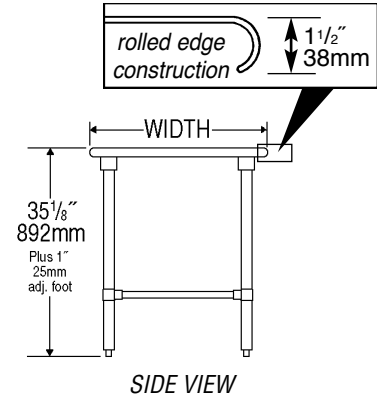
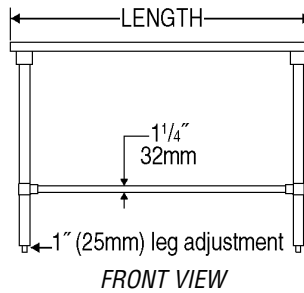
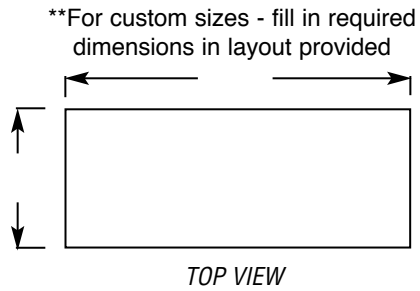
Options / Accessories

- | | |
|--|--|
| <input type="checkbox"/> Drawer | <input type="checkbox"/> Duplex receptacles |
| <input type="checkbox"/> Lock | <input type="checkbox"/> Pot rack |
| <input type="checkbox"/> Casters | <input type="checkbox"/> Sink |
| <input type="checkbox"/> Stainless steel bullet feet | <input type="checkbox"/> Stabilizer Bar (for 30"- and 36"-wide tables) |
| <input type="checkbox"/> Overshelves | |



Item No.:	
Project No.:	
S.I.S. No.:	

Worktables with Flat Top and Stainless Steel Tubular Base —Budget Series



model #	# of legs	width		length		weight	
		in.	mm	in.	mm	lbs.	kg
<i>BPT-2424STB</i>	4	24"	610	24"	610	40	18.1
<i>BPT-2430STB</i>	4	24"	610	30"	762	45	20.4
<i>BPT-2436STB</i>	4	24"	610	36"	914	50	22.7
<i>BPT-2448STB</i>	4	24"	610	48"	1219	60	27.2
<i>BPT-2460STB</i>	4	24"	610	60"	1524	70	31.8
<i>BPT-2472STB</i>	4	24"	610	72"	1829	80	36.3
<i>BPT-2484STB</i>	4	24"	610	84"	2134	90	40.8
<i>BPT-2496STB</i>	6	24"	610	96"	2438	100	45.4
<i>BPT-3024STB</i>	4	30"	762	24"	610	45	20.4
<i>BPT-3030STB</i>	4	30"	762	30"	762	47	21.3
<i>BPT-3036STB</i>	4	30"	762	36"	914	53	24.0
<i>BPT-3048STB</i>	4	30"	762	48"	1219	65	29.5
<i>BPT-3060STB</i>	4	30"	762	60"	1524	77	34.9
<i>BPT-3072STB</i>	4	30"	762	72"	1829	89	40.4
<i>BPT-3084STB</i>	4	30"	762	84"	2134	101	45.8
<i>BPT-3096STB</i>	6	30"	762	96"	2438	113	51.3
<i>BPT-3636STB</i>	4	36"	914	36"	914	60	27.2
<i>BPT-3648STB</i>	4	36"	914	48"	1219	73	33.1
<i>BPT-3660STB</i>	4	36"	914	60"	1524	87	39.5
<i>BPT-3672STB</i>	4	36"	914	72"	1829	101	45.8
<i>BPT-3684STB</i>	4	36"	914	84"	2134	115	52.2
<i>BPT-3696STB</i>	6	36"	914	96"	2438	129	58.5