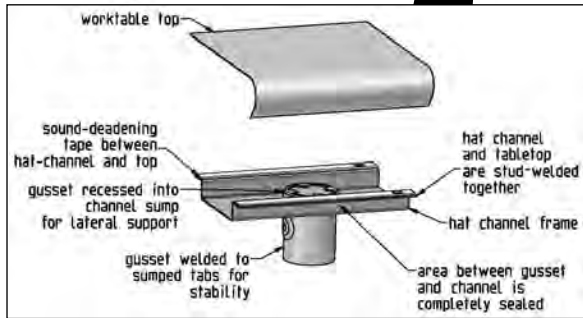


Specification Sheet

Short Form Specifications

BlendPort™ FL Series Worktables with Upturn, model _____, 18 gauge type 430 stainless steel top features front rolled rim, 1½" rear upturn, and square bend on ends. 1⅝"-diameter galvanized legs. 18 gauge galvanized undershelf. Adjustable plastic bullet feet.



Optional Drawers for FL Series Worktables

16" x 20".
Fully enclosed.
Features roller slides.



| description | model # |
|---------------------|---------------------|
| For 24"-wide tables | BPD-1620-24T |
| For 30"-wide tables | BPD-1620-30T |

Item No.: _____
Project No.: _____
S.I.S. No.: _____

BlendPort™ FL Series Worktables with Upturn

- 18 gauge type 430 stainless steel top features hemmed rolled rim edge on front, with square bend on sides, and is sound-deadened.
- 1½"-high rear upturn.
- Top reinforced with welded-on hat channels, which allow for mounting optional drawers.
- 1⅝"-diameter galvanized steel legs.
- Galvanized steel gussets.
- Adjustable plastic bullet feet.
- 18 gauge galvanized steel undershelf.

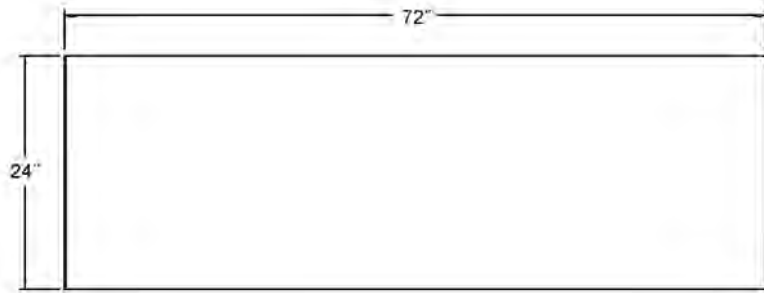
| width x length | weight | model # |
|----------------|----------|-------------------|
| 24" x 24" | 42 lbs. | BPT-2424FL |
| 24" x 30" | 45 lbs. | BPT-2430FL |
| 24" x 36" | 50 lbs. | BPT-2436FL |
| 24" x 48" | 61 lbs. | BPT-2448FL |
| 24" x 60" | 71 lbs. | BPT-2460FL |
| 24" x 72" | 82 lbs. | BPT-2472FL |
| 24" x 96" | 114 lbs. | BPT-2496FL |
| 30" x 24" | 45 lbs. | BPT-3024FL |
| 30" x 30" | 49 lbs. | BPT-3030FL |
| 30" x 36" | 52 lbs. | BPT-3036FL |
| 30" x 48" | 68 lbs. | BPT-3048FL |
| 30" x 60" | 79 lbs. | BPT-3060FL |
| 30" x 72" | 92 lbs. | BPT-3072FL |
| 30" x 96" | 126 lbs. | BPT-3096FL |



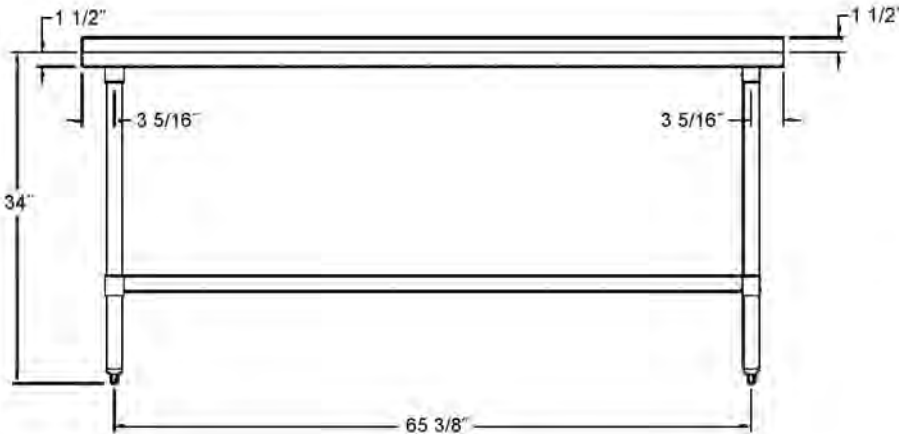


Item No.: _____
 Project No.: _____
 S.I.S. No.: _____

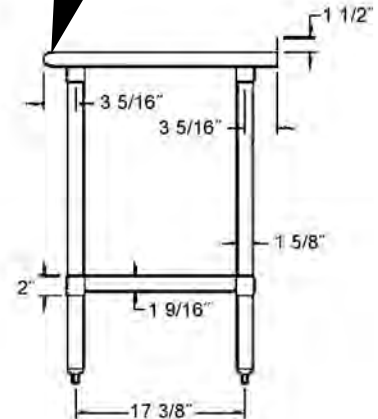
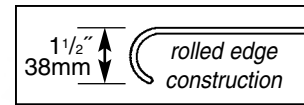
BlendPort™ FL Series Worktables with Upturn



TOP VIEW



FRONT VIEW



SIDE VIEW

(Note: #BPT-2472FL shown)

BlendPort™
 An Eagle Group Company
 100 Industrial Boulevard, Clayton, DE 19938-8903 USA
 Phone: 800-441-8440 • Fax: 302-653-2065

Printed in U.S.A.
 ©2011 by Eagle Group
 Rev. 11/11

Although every attempt has been made to ensure the accuracy of the information provided, we cannot be held responsible for typographical or printing errors. Information and specifications are subject to change without notice. Please confirm at time of order.