

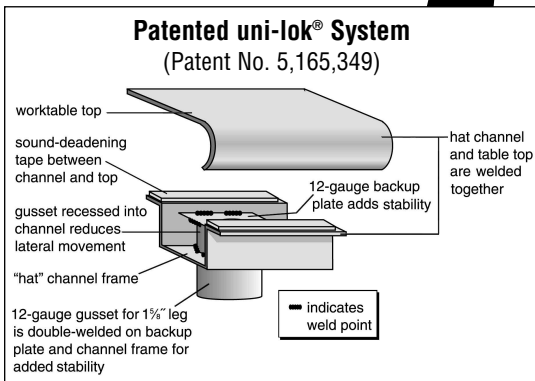
Specification Sheet

Short Form Specifications

Blendport worktables, Deluxe series, model _____.
Top constructed of 16 gauge 300 series stainless steel with 1½" roll on front and rear, and sides turned down 90°. Open front with 1¼" O.D. stainless steel tubular crossbracing on sides and rear. Top reinforced with welded hat channels and sound deadened. Constructed with uni-lok® patented gusset system with the gussets recessed into the hat channels to reduce lateral movement. Legs are 1½" O.D. stainless steel tubing, with stainless steel gussets and 1" stainless steel adjustable bullet feet.



worktable with flat top and tubular base
— shown with optional drawer



Item No.: _____
Project No.: _____
S.I.S. No.: _____

Worktables with Flat Top and Stainless Steel Tubular Base —Deluxe Series

MODELS:

- | | | |
|---------------------------------------|---------------------------------------|---------------------------------------|
| <input type="checkbox"/> BPT-2424STEB | <input type="checkbox"/> BPT-3024STEB | <input type="checkbox"/> BPT-3096STEB |
| <input type="checkbox"/> BPT-2430STEB | <input type="checkbox"/> BPT-3030STEB | <input type="checkbox"/> BPT-3636STEB |
| <input type="checkbox"/> BPT-2436STEB | <input type="checkbox"/> BPT-3036STEB | <input type="checkbox"/> BPT-3648STEB |
| <input type="checkbox"/> BPT-2448STEB | <input type="checkbox"/> BPT-3048STEB | <input type="checkbox"/> BPT-3660STEB |
| <input type="checkbox"/> BPT-2460STEB | <input type="checkbox"/> BPT-3060STEB | <input type="checkbox"/> BPT-3672STEB |
| <input type="checkbox"/> BPT-2472STEB | <input type="checkbox"/> BPT-3072STEB | <input type="checkbox"/> BPT-3684STEB |
| <input type="checkbox"/> BPT-2484STEB | <input type="checkbox"/> BPT-3084STEB | <input type="checkbox"/> BPT-3696STEB |
| <input type="checkbox"/> BPT-2496STEB | | |

Tabletop

- Patented uni-lok® gusset system (patent #5,165,349): gussets are recessed into hat channel, reducing lateral movement.
- Top reinforced with welded-on hat channel.
- Sound-deadened between top and channels.
- 1½" (38mm)-diameter 180° rolled edges on front and rear. Ends are turned down 90°, providing for flush installations when required.
- 16 gauge 300 series polished stainless steel.

Crossbracing—1¼" (38mm)-diameter

- Heavy gauge stainless steel.
- Aluminum castings join crossbraces, legs and rear brace.

Legs—1½" (41mm)-diameter

- Tables 96" (2438mm) and longer come with six legs or more.
- Heavy gauge stainless steel.
- 1" (25mm) adjustable stainless steel feet.

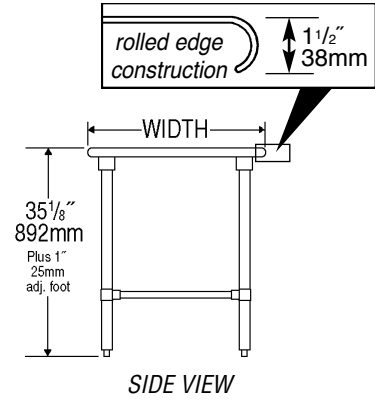
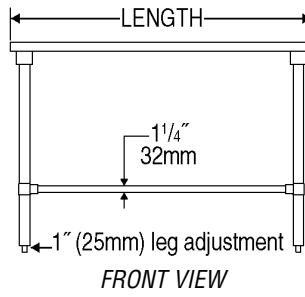
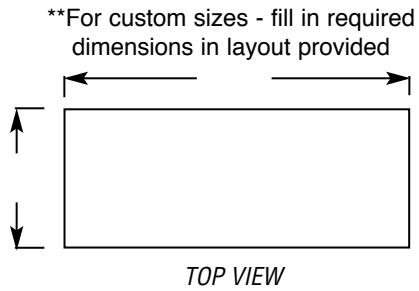
Options / Accessories

- | | |
|--|--|
| <input type="checkbox"/> Drawer | <input type="checkbox"/> Duplex receptacles |
| <input type="checkbox"/> Lock | <input type="checkbox"/> Pot rack |
| <input type="checkbox"/> Casters | <input type="checkbox"/> Sink |
| <input type="checkbox"/> Stainless steel bullet feet | <input type="checkbox"/> Stabilizer Bar (for 30"- and 36"-wide tables) |
| <input type="checkbox"/> Overshelves | |



Item No.: _____
 Project No.: _____
 S.I.S. No.: _____

Worktables with Flat Top and Stainless Steel Tubular Base —Deluxe Series



model #	# of legs	width		length		weight	
		in.	mm	in.	mm	lbs.	kg
BPT-2424STEB	4	24"	610	24"	610	40	18.1
BPT-2430STEB	4	24"	610	30"	762	45	20.4
BPT-2436STEB	4	24"	610	36"	914	50	22.7
BPT-2448STEB	4	24"	610	48"	1219	60	27.2
BPT-2460STEB	4	24"	610	60"	1524	70	31.8
BPT-2472STEB	4	24"	610	72"	1829	80	36.3
BPT-2484STEB	4	24"	610	84"	2134	90	40.8
BPT-2496STEB	6	24"	610	96"	2438	100	45.4
BPT-3024STEB	4	30"	762	24"	610	45	20.4
BPT-3036STEB	4	30"	762	36"	914	53	24.0
BPT-3048STEB	4	30"	762	48"	1219	65	29.5
BPT-3060STEB	4	30"	762	60"	1524	77	34.9
BPT-3072STEB	4	30"	762	72"	1829	89	40.4
BPT-3084STEB	4	30"	762	84"	2134	101	45.8
BPT-3096STEB	6	30"	762	96"	2438	113	51.3
BPT-3636STEB	4	36"	914	36"	914	60	27.2
BPT-3648STEB	4	36"	914	48"	1219	73	33.1
BPT-3660STEB	4	36"	914	60"	1524	87	39.5
BPT-3672STEB	4	36"	914	72"	1829	101	45.8
BPT-3684STEB	4	36"	914	84"	2134	115	52.2
BPT-3696STEB	6	36"	914	96"	2438	129	58.5