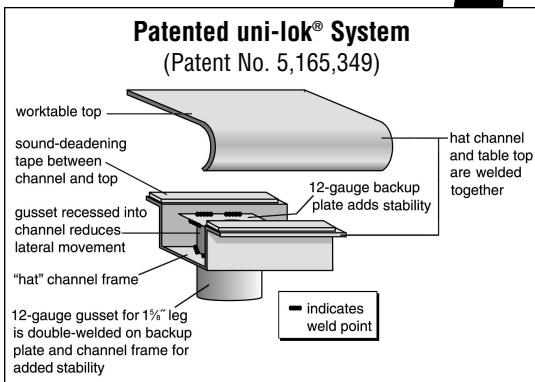


Specification Sheet

Short Form Specifications

Blendport worktables, Budget series, model _____.
Top constructed of heavy gauge type 430 stainless steel with 1½" roll on front and rear, and sides turned down 90°. Undersheff is adjustable and constructed of heavy gauge type 430 stainless steel with marine edge. Top reinforced with hat channels and sound deadened. Constructed with uni-lok® patented gusset system with the gussets recessed into the hat channels to reduce lateral movement. Legs are 1½" O.D. stainless steel, with galvanized gussets and 1" stainless steel adjustable bullet feet.



Item No.:	_____
Project No.:	_____
S.I.S. No.:	_____

Worktables with Flat Top and Stainless Steel Base with Undersheff—Budget Series

MODELS:

- | | | |
|--|--|--|
| <input type="checkbox"/> BPT-2424SB | <input type="checkbox"/> BPT-3024SB | <input type="checkbox"/> BPT-3096SB |
| <input type="checkbox"/> BPT-2430SB | <input type="checkbox"/> BPT-3030SB | <input type="checkbox"/> BPT-3636SB |
| <input type="checkbox"/> BPT-2436SB | <input type="checkbox"/> BPT-3036SB | <input type="checkbox"/> BPT-3648SB |
| <input type="checkbox"/> BPT-2448SB | <input type="checkbox"/> BPT-3048SB | <input type="checkbox"/> BPT-3660SB |
| <input type="checkbox"/> BPT-2460SB | <input type="checkbox"/> BPT-3060SB | <input type="checkbox"/> BPT-3672SB |
| <input type="checkbox"/> BPT-2472SB | <input type="checkbox"/> BPT-3072SB | <input type="checkbox"/> BPT-3684SB |
| <input type="checkbox"/> BPT-2484SB | <input type="checkbox"/> BPT-3084SB | <input type="checkbox"/> BPT-3696SB |
| <input type="checkbox"/> BPT-2496SB | | |

Tabletop

- Patented uni-lok® gusset system (patent #5,165,349): gussets are recessed into hat channel, reducing lateral movement.
- Top reinforced with welded-on hat channel.
- Sound-deadened between top and channels.
- 1½" (38mm)-diameter 180° rolled edges on front and rear. Ends are turned down 90° providing for flush installations when required.
- Heavy gauge type 430 polished stainless steel.

Adjustable Undersheff

- Heavy gauge stainless steel.
- Gusset welded to each corner.
- Heavy duty marine edge design.

Legs—1½" (41mm)-diameter

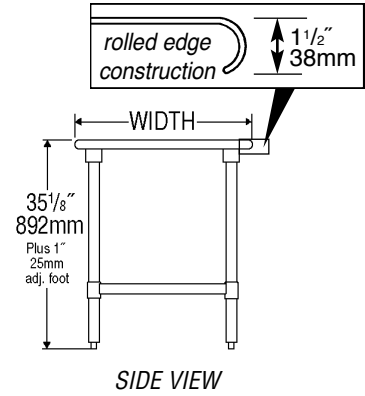
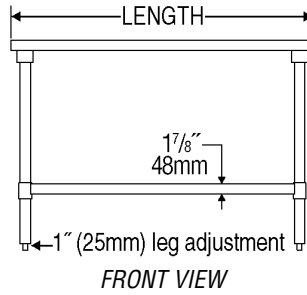
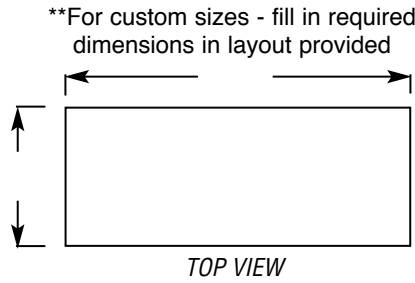
- Tables 96" (2438mm) and longer come with six legs or more.
- Heavy gauge stainless steel.
- 1" (25mm) adjustable stainless steel feet.

Options / Accessories

- | | |
|--|--|
| <input type="checkbox"/> Drawer | <input type="checkbox"/> Duplex receptacles |
| <input type="checkbox"/> Lock | <input type="checkbox"/> Pot rack |
| <input type="checkbox"/> Casters | <input type="checkbox"/> Sink |
| <input type="checkbox"/> Stainless steel bullet feet | <input type="checkbox"/> Additional undersheff |
| <input type="checkbox"/> Overshelves | <input type="checkbox"/> Stabilizer Bar (for 30"- and 36"-wide tables) |

Item No.: _____
 Project No.: _____
 S.I.S. No.: _____

Worktables with Flat Top and Stainless Steel Base with Undershef—Budget Series



model #	# of legs	width		length		weight	
		in.	mm	in.	mm	lbs.	kg
BPT-2424SB	4	24"	610	24"	610	42	19.0
BPT-2430SB	4	24"	610	30"	762	45	20.4
BPT-2436SB	4	24"	610	36"	914	50	22.7
BPT-2448SB	4	24"	610	48"	1219	61	27.7
BPT-2460SB	4	24"	610	60"	1524	71	32.2
BPT-2472SB	4	24"	610	72"	1829	82	37.2
BPT-2484SB	4	24"	610	84"	2134	94	42.6
BPT-2496SB	6	24"	610	96"	2438	114	51.7
BPT-3024SB	4	30"	762	24"	610	45	20.4
BPT-3030SB	4	30"	762	30"	762	49	22.0
BPT-3036SB	4	30"	762	36"	914	52	23.6
BPT-3048SB	4	30"	762	48"	1219	68	30.1
BPT-3060SB	4	30"	762	60"	1524	79	35.8
BPT-3072SB	4	30"	762	72"	1829	92	41.7
BPT-3084SB	4	30"	762	84"	2134	105	47.6
BPT-3096SB	6	30"	762	96"	2438	126	57.2
BPT-3636SB	4	36"	914	36"	914	60	27.2
BPT-3648SB	4	36"	914	48"	1219	75	34.0
BPT-3660SB	4	36"	914	60"	1524	88	40.0
BPT-3672SB	4	36"	914	72"	1829	104	47.2
BPT-3684SB	4	36"	914	84"	2134	120	54.4
BPT-3696SB	6	36"	914	96"	2438	139	63.1

BlendPort®

An Eagle Group Company
 100 Industrial Boulevard, Clayton, DE 19938-8903 USA
 Phone: 800-441-8440 • Fax: 302-653-2065

Printed in U.S.A.
 ©2018 by Eagle Group
 Rev. 09/18

Although every attempt has been made to ensure the accuracy of the information provided, we cannot be held responsible for typographical or printing errors. Information and specifications are subject to change without notice. Please confirm at time of order.