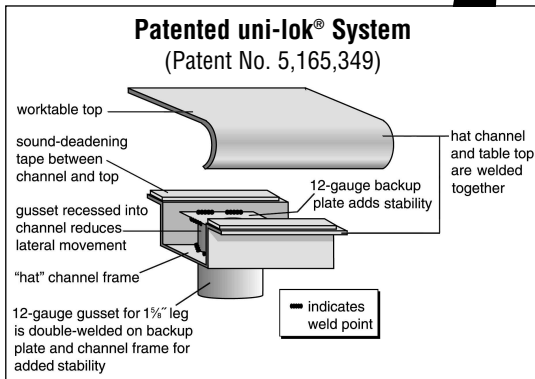


# Specification Sheet

## Short Form Specifications

Blendport worktables, Deluxe series, model \_\_\_\_\_.  
Top constructed of 16 gauge 300 series stainless steel with 1½" roll on front, 1½" rear upturn, and sides turned down 90°. Open front with 1¼" O.D., stainless steel tubular crossbracing on sides and rear. Top reinforced with welded hat channels and sound deadened. Constructed with uni-lok® patented gusset system with the gussets recessed into the hat channels to reduce lateral movement. Legs are 1½" O.D. stainless steel tubing, with stainless steel gussets and 1" stainless steel adjustable bullet feet.



Item No.: \_\_\_\_\_  
Project No.: \_\_\_\_\_  
S.I.S. No.: \_\_\_\_\_

## Worktables with Rear Upturn and Stainless Steel Tubular Base —Deluxe Series

### MODELS:

- |  |  |  |
|--|--|--|
| <input type="checkbox"/> BPT-2424STEB-UT | <input type="checkbox"/> BPT-3024STEB-UT | <input type="checkbox"/> BPT-3636STEB-UT |
| <input type="checkbox"/> BPT-2430STEB-UT | <input type="checkbox"/> BPT-3030STEB-UT | <input type="checkbox"/> BPT-3648STEB-UT |
| <input type="checkbox"/> BPT-2436STEB-UT | <input type="checkbox"/> BPT-3036STEB-UT | <input type="checkbox"/> BPT-3660STEB-UT |
| <input type="checkbox"/> BPT-2448STEB-UT | <input type="checkbox"/> BPT-3048STEB-UT | <input type="checkbox"/> BPT-3672STEB-UT |
| <input type="checkbox"/> BPT-2460STEB-UT | <input type="checkbox"/> BPT-3060STEB-UT | <input type="checkbox"/> BPT-3684STEB-UT |
| <input type="checkbox"/> BPT-2472STEB-UT | <input type="checkbox"/> BPT-3072STEB-UT | <input type="checkbox"/> BPT-3696STEB-UT |
| <input type="checkbox"/> BPT-2484STEB-UT | <input type="checkbox"/> BPT-3084STEB-UT |  |
| <input type="checkbox"/> BPT-2496STEB-UT | <input type="checkbox"/> BPT-3096STEB-UT |  |

### Tabletop

- Top reinforced with welded-on hat channel.
- Sound-deadened between top and channels.
- 1½" (38mm) 90° rear upturn with radius at intersection.
- 1½" (41mm)-diameter 180° rolled edge on front. Ends are turned down 90° providing for flush installations when required.
- 16 gauge 300 series polished stainless steel.

### Crossbracing—1¼" (32mm)-diameter

- Heavy gauge stainless steel.
- Aluminum castings join crossbraces, legs and rear brace.

### Legs—1½" (41mm)-diameter

- Units 96" to 120" (2438 to 3048mm) long come with six legs; Units 132" and 144" (3353 and 3658mm) come with eight legs.
- Patented uni-lok® gusset system (patent # 5,165,349): gussets are recessed into hat channel, reducing lateral movement.
- Heavy gauge stainless steel.
- Galvanized gussets.
- 1" (25mm) adjustable stainless steel feet.

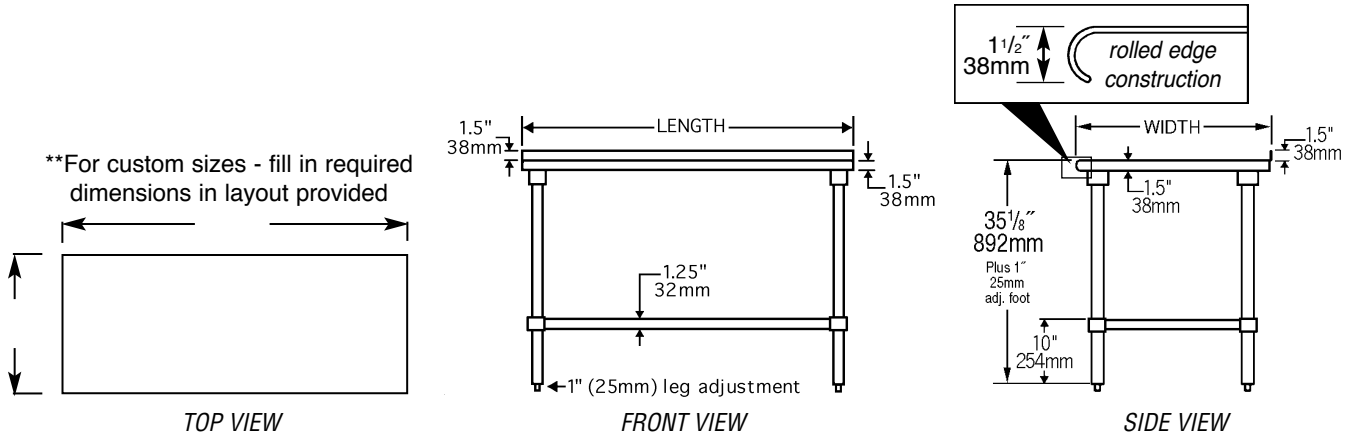
### Options / Accessories

- |  |  |
|--|--|
| <input type="checkbox"/> Drawer                      | <input type="checkbox"/> Duplex receptacles                            |
| <input type="checkbox"/> Lock                        | <input type="checkbox"/> Pot rack                                      |
| <input type="checkbox"/> Casters                     | <input type="checkbox"/> Sink  |
| <input type="checkbox"/> Stainless steel bullet feet | <input type="checkbox"/> Additional undershelf                         |
| <input type="checkbox"/> Overshelves                 | <input type="checkbox"/> Stabilizer Bar (for 30"- and 36"-wide tables) |



Item No.:	
Project No.:	
S.I.S. No.:	

## Worktables with Rear Uprturn and Stainless Steel Tubular Base —Deluxe Series



model #	# of legs	width		length		weight	
		in.	mm	in.	mm	lbs.	kg
BPT-2424STEB-UT	4	24"	610	24"	610	40	18.1
BPT-2430STEB-UT	4	24"	610	30"	762	45	20.4
BPT-2436STEB-UT	4	24"	610	36"	914	50	22.7
BPT-2448STEB-UT	4	24"	610	48"	1219	60	27.2
BPT-2460STEB-UT	4	24"	610	60"	1524	70	31.8
BPT-2472STEB-UT	4	24"	610	72"	1829	80	36.3
BPT-2484STEB-UT	4	24"	610	84"	2134	90	40.8
BPT-2496STEB-UT	6	24"	610	96"	2438	100	45.4
BPT-3024STEB-UT	4	30"	762	24"	610	45	20.4
BPT-3030STEB-UT	4	30"	762	30"	762	50	22.7
BPT-3036STEB-UT	4	30"	762	36"	914	53	24.0
BPT-3048STEB-UT	4	30"	762	48"	1219	57	25.9
BPT-3060STEB-UT	4	30"	762	60"	1524	67	30.4
BPT-3072STEB-UT	4	30"	762	72"	1829	77	34.9
BPT-3084STEB-UT	4	30"	762	84"	2134	87	39.5
BPT-3096STEB-UT	6	30"	762	96"	2438	97	44.0
BPT-3636STEB-UT	4	36"	914	36"	914	60	27.2
BPT-3648STEB-UT	4	36"	914	48"	1219	61	27.7
BPT-3660STEB-UT	4	36"	914	60"	1524	72	32.7
BPT-3672STEB-UT	4	36"	914	72"	1829	85	38.6
BPT-3684STEB-UT	4	36"	914	84"	2134	97	44.0
BPT-3696STEB-UT	6	36"	914	96"	2438	109	49.4