

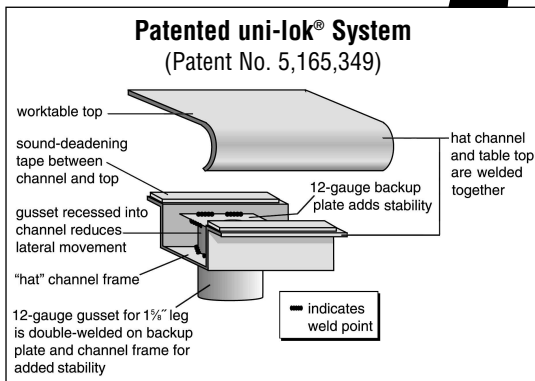
Specification Sheet

Short Form Specifications

Blendport worktables, Deluxe series, model _____.
Top constructed of 16 gauge 300 series stainless steel with 1½" roll on front, 1½" rear upturn, and sides turned down 90°. Open front with 1¼" O.D. galvanized tubular crossbracing on sides and rear. Top reinforced with hat channels and sound deadened. Constructed with uni-lok® patented gusset system with the gussets recessed into the hat channels to reduce lateral movement. Legs are 1½" O.D. galvanized tubing with galvanized gussets and 1" hi-impact plastic bullet feet.



*worktable with upturn
and tubular base*



Item No.: _____
Project No.: _____
S.I.S. No.: _____

Worktables with Rear Upturn and Galvanized Tubular Base —Deluxe Series

MODELS:

- | | | |
|--|--|--|
| <input type="checkbox"/> BPT-2424GTEB-UT | <input type="checkbox"/> BPT-3024GTEB-UT | <input type="checkbox"/> BPT-3636GTEB-UT |
| <input type="checkbox"/> BPT-2430GTEB-UT | <input type="checkbox"/> BPT-3030GTEB-UT | <input type="checkbox"/> BPT-3648GTEB-UT |
| <input type="checkbox"/> BPT-2436GTEB-UT | <input type="checkbox"/> BPT-3036GTEB-UT | <input type="checkbox"/> BPT-3660GTEB-UT |
| <input type="checkbox"/> BPT-2448GTEB-UT | <input type="checkbox"/> BPT-3048GTEB-UT | <input type="checkbox"/> BPT-3672GTEB-UT |
| <input type="checkbox"/> BPT-2460GTEB-UT | <input type="checkbox"/> BPT-3060GTEB-UT | <input type="checkbox"/> BPT-3684GTEB-UT |
| <input type="checkbox"/> BPT-2472GTEB-UT | <input type="checkbox"/> BPT-3072GTEB-UT | <input type="checkbox"/> BPT-3696GTEB-UT |
| <input type="checkbox"/> BPT-2484GTEB-UT | <input type="checkbox"/> BPT-3084GTEB-UT | |
| <input type="checkbox"/> BPT-2496GTEB-UT | <input type="checkbox"/> BPT-3096GTEB-UT | |

Tabletop

- Top reinforced with welded-on hat channel.
- Sound-deadened between top and channels.
- 1½" (38mm) 90° rear upturn with radius at intersection.
- 1½" (38mm)-diameter 180° rolled edge on front. Ends are turned down 90°, providing for flush installations when required.
- 16 gauge 300 series polished stainless steel.

Crossbracing—1¼" (38mm)-diameter

- Heavy gauge, galvanized.
- Aluminum castings join rear and side crossbraces with legs.

Legs—1½" (41mm)-diameter

- Units 96" to 120" (2438 to 3048mm) long come with six legs; Units 132" and 144" (3353 and 3658mm) come with eight legs.
- Patented uni-lok® gusset system (patent #5,165,349) is recessed into channel, reducing lateral movement.
- Heavy gauge galvanized steel.
- Galvanized gussets.
- 1" (25mm) adjustable hi-impact plastic feet.

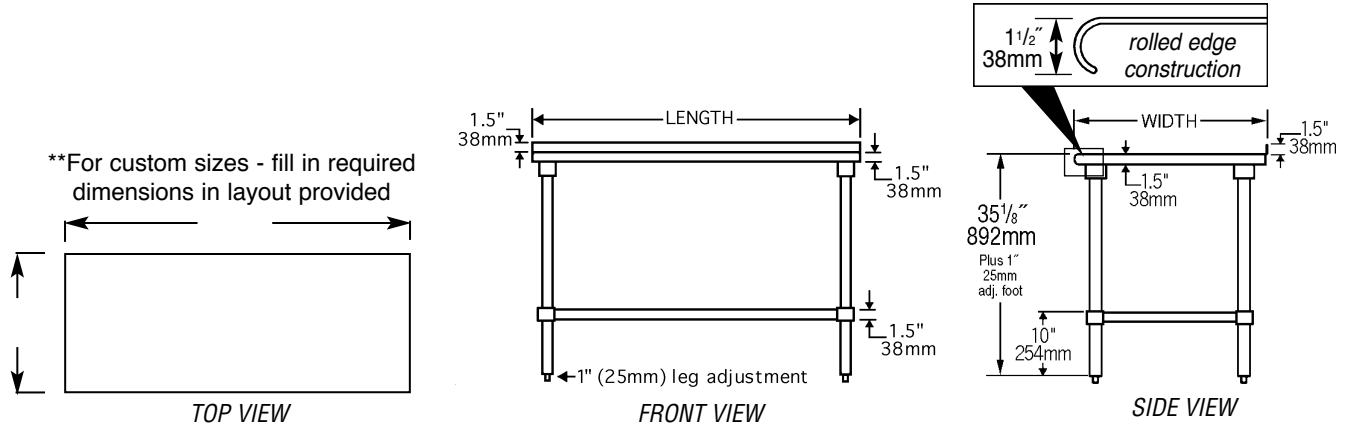
Options / Accessories

- | | |
|--|---|
| <input type="checkbox"/> Drawer | <input type="checkbox"/> Duplex receptacles |
| <input type="checkbox"/> Lock | <input type="checkbox"/> Pot rack |
| <input type="checkbox"/> Casters | <input type="checkbox"/> Sink |
| <input type="checkbox"/> Stainless steel bullet feet | <input type="checkbox"/> Additional undershelf |
| <input type="checkbox"/> Stainless steel gussets | <input type="checkbox"/> Stabilizer Bar (for 30" and 36"-wide tables) |
| <input type="checkbox"/> Overshelves | |



| | |
|--------------|--|
| Item No.: | |
| Project No.: | |
| S.I.S. No.: | |

Worktables with Rear Uprturn and Galvanized Tubular Base —Deluxe Series



| model # | # of legs | width | | length | | weight | |
|------------------------|-----------|-------|-----|--------|------|--------|------|
| | | in. | mm | in. | mm | lbs. | kg |
| <i>BPT-2424GTEB-UT</i> | 4 | 24" | 610 | 24" | 610 | 40 | 18.1 |
| <i>BPT-2430GTEB-UT</i> | 4 | 24" | 610 | 30" | 762 | 45 | 20.4 |
| <i>BPT-2436GTEB-UT</i> | 4 | 24" | 610 | 36" | 914 | 50 | 22.7 |
| <i>BPT-2448GTEB-UT</i> | 4 | 24" | 610 | 48" | 1219 | 60 | 27.2 |
| <i>BPT-2460GTEB-UT</i> | 4 | 24" | 610 | 60" | 1524 | 70 | 31.8 |
| <i>BPT-2472GTEB-UT</i> | 4 | 24" | 610 | 72" | 1829 | 80 | 36.3 |
| <i>BPT-2484GTEB-UT</i> | 4 | 24" | 610 | 84" | 2134 | 90 | 40.8 |
| <i>BPT-2496GTEB-UT</i> | 6 | 24" | 610 | 96" | 2438 | 100 | 45.4 |
| <i>BPT-3024GTEB-UT</i> | 4 | 30" | 762 | 24" | 610 | 45 | 20.4 |
| <i>BPT-3030GTEB-UT</i> | 4 | 30" | 762 | 30" | 762 | 50 | 22.7 |
| <i>BPT-3036GTEB-UT</i> | 4 | 30" | 762 | 36" | 914 | 53 | 24.0 |
| <i>BPT-3048GTEB-UT</i> | 4 | 30" | 762 | 48" | 1219 | 57 | 25.9 |
| <i>BPT-3060GTEB-UT</i> | 4 | 30" | 762 | 60" | 1524 | 67 | 30.4 |
| <i>BPT-3072GTEB-UT</i> | 4 | 30" | 762 | 72" | 1829 | 77 | 34.9 |
| <i>BPT-3084GTEB-UT</i> | 4 | 30" | 762 | 84" | 2134 | 87 | 39.5 |
| <i>BPT-3096GTEB-UT</i> | 6 | 30" | 762 | 96" | 2438 | 97 | 44.0 |
| <i>BPT-3636GTEB-UT</i> | 4 | 36" | 914 | 36" | 914 | 60 | 27.2 |
| <i>BPT-3648GTEB-UT</i> | 4 | 36" | 914 | 48" | 1219 | 61 | 27.7 |
| <i>BPT-3660GTEB-UT</i> | 4 | 36" | 914 | 60" | 1524 | 72 | 32.7 |
| <i>BPT-3672GTEB-UT</i> | 4 | 36" | 914 | 72" | 1829 | 85 | 38.6 |
| <i>BPT-3684GTEB-UT</i> | 4 | 36" | 914 | 84" | 2134 | 97 | 44.0 |
| <i>BPT-3696GTEB-UT</i> | 6 | 36" | 914 | 96" | 2438 | 109 | 49.4 |