

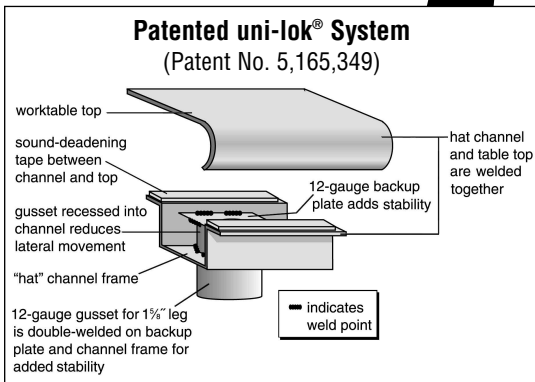
Specification Sheet

Short Form Specifications

Blendport worktables, Budget series model _____.
Top constructed of heavy gauge type 430 stainless steel with 1½" roll on front and rear, and sides turned down 90°. Open front with 1¼" O.D. galvanized tubular crossbracing on sides and rear. Top reinforced with hat channels and sound deadened. Constructed with uni-lok® patented gusset system with the gussets recessed into the hat channels to reduce lateral movement. Legs are 1½" O.D. galvanized tubing, with galvanized gussets and 1" hi-impact plastic bullet feet.



worktable with flat top and tubular base



Item No.: _____
Project No.: _____
S.I.S. No.: _____

Worktables with Flat Top and Galvanized Tubular Base —Budget Series

MODELS:

- | | | |
|--------------------------------------|--------------------------------------|--------------------------------------|
| <input type="checkbox"/> BPT-2424GTB | <input type="checkbox"/> BPT-3024GTB | <input type="checkbox"/> BPT-3096GTB |
| <input type="checkbox"/> BPT-2430GTB | <input type="checkbox"/> BPT-3030GTB | <input type="checkbox"/> BPT-3636GTB |
| <input type="checkbox"/> BPT-2436GTB | <input type="checkbox"/> BPT-3036GTB | <input type="checkbox"/> BPT-3648GTB |
| <input type="checkbox"/> BPT-2448GTB | <input type="checkbox"/> BPT-3048GTB | <input type="checkbox"/> BPT-3660GTB |
| <input type="checkbox"/> BPT-2460GTB | <input type="checkbox"/> BPT-3060GTB | <input type="checkbox"/> BPT-3672GTB |
| <input type="checkbox"/> BPT-2472GTB | <input type="checkbox"/> BPT-3072GTB | <input type="checkbox"/> BPT-3684GTB |
| <input type="checkbox"/> BPT-2484GTB | <input type="checkbox"/> BPT-3084GTB | <input type="checkbox"/> BPT-3696GTB |
| <input type="checkbox"/> BPT-2496GTB | | |

Tabletop

- Patented uni-lok® gusset system (patent #5,165,349): gussets are recessed into hat channel, reducing lateral movement.
- Top reinforced with welded-on hat channel.
- Sound-deadened between top and channels.
- 1½" (38mm)-diameter 180° rolled edges on front and rear. Ends are turned down 90°, providing for flush installations when required.
- Heavy gauge type 430 polished stainless steel.

Crossbracing—1¼" (38mm)-diameter

- Heavy gauge, galvanized.
- Aluminum castings join crossbraces, legs and rear brace.

Legs—1½" (41mm)-diameter

- Tables 96" (2438mm) and longer come with six legs or more.
- Heavy gauge galvanized steel.
- 1" (25mm) adjustable hi-impact plastic feet.

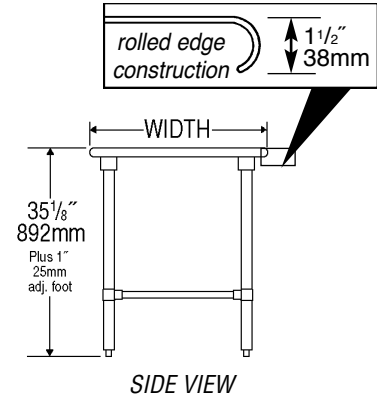
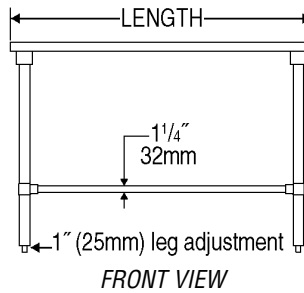
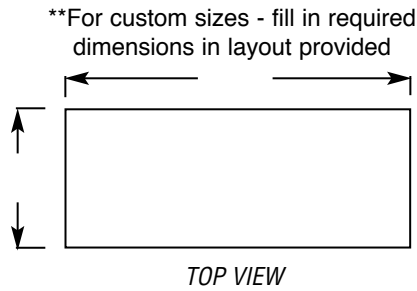
Options / Accessories

- | | |
|--|--|
| <input type="checkbox"/> Drawer | <input type="checkbox"/> Duplex receptacles |
| <input type="checkbox"/> Lock | <input type="checkbox"/> Pot rack |
| <input type="checkbox"/> Casters | <input type="checkbox"/> Sink |
| <input type="checkbox"/> Stainless steel bullet feet | <input type="checkbox"/> Stabilizer Bar (for 30"- and 36"-wide tables) |
| <input type="checkbox"/> Overshelves | |



Item No.: _____
 Project No.: _____
 S.I.S. No.: _____

Worktables with Flat Top and Galvanized Tubular Base —Budget Series



model #	# of legs	width		length		weight	
		in.	mm	in.	mm	lbs.	kg
BPT-2424GTB	4	24"	610	24"	610	40	18.1
BPT-2430GTB	4	24"	610	30"	762	45	20.4
BPT-2436GTB	4	24"	610	36"	914	50	22.7
BPT-2448GTB	4	24"	610	48"	1219	60	27.2
BPT-2460GTB	4	24"	610	60"	1524	70	31.8
BPT-2472GTB	4	24"	610	72"	1829	80	36.3
BPT-2484GTB	4	24"	610	84"	2134	90	40.8
BPT-2496GTB	6	24"	610	96"	2438	100	45.4
BPT-3024GTB	4	30"	762	24"	610	45	20.4
BPT-3030GTB	4	30"	762	30"	762	47	21.3
BPT-3036GTB	4	30"	762	36"	914	53	24.0
BPT-3048GTB	4	30"	762	48"	1219	65	29.5
BPT-3060GTB	4	30"	762	60"	1524	77	34.9
BPT-3072GTB	4	30"	762	72"	1829	89	40.4
BPT-3084GTB	4	30"	762	84"	2134	101	45.8
BPT-3096GTB	6	30"	762	96"	2438	113	51.3
BPT-3636GTB	4	36"	914	36"	914	60	27.2
BPT-3648GTB	4	36"	914	48"	1219	73	33.1
BPT-3660GTB	4	36"	914	60"	1524	87	39.5
BPT-3672GTB	4	36"	914	72"	1829	101	45.8
BPT-3684GTB	4	36"	914	84"	2134	115	52.2
BPT-3696GTB	6	36"	914	96"	2438	129	58.5