

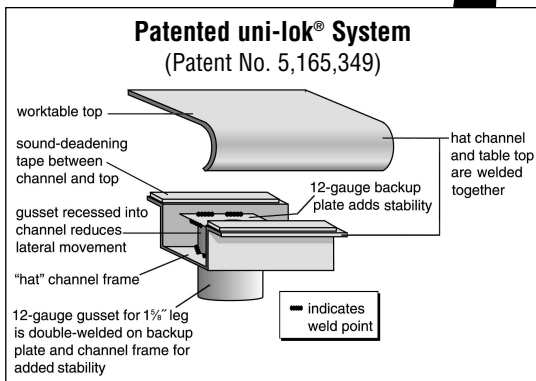
Specification Sheet

Short Form Specifications

Blendport worktables, Budget series, model _____.
Top constructed of heavy gauge type 430 stainless steel with 1½" roll on front, 1½" rear upturn, and sides turned down 90°. Open front with 1¼" O.D. stainless steel tubular crossbracing on sides and rear. Top reinforced with welded hat channels and sound deadened. Constructed with uni-lok® patented gusset system with the gussets recessed into the hat channels to reduce lateral movement. Legs are 1½" O.D. stainless steel tubing, with stainless steel gussets and 1" stainless steel adjustable bullet feet.



worktable with upturn and tubular base
—shown with optional drawer



Item No.: _____
Project No.: _____
S.I.S. No.: _____

Worktables with Rear Upturn and Stainless Steel Tubular Base —Budget Series

MODELS:

- | | | |
|---|---|---|
| <input type="checkbox"/> BPT-2424STB-UT | <input type="checkbox"/> BPT-3024STB-UT | <input type="checkbox"/> BPT-3636STB-UT |
| <input type="checkbox"/> BPT-2430STB-UT | <input type="checkbox"/> BPT-3030STB-UT | <input type="checkbox"/> BPT-3648STB-UT |
| <input type="checkbox"/> BPT-2436STB-UT | <input type="checkbox"/> BPT-3036STB-UT | <input type="checkbox"/> BPT-3660STB-UT |
| <input type="checkbox"/> BPT-2448STB-UT | <input type="checkbox"/> BPT-3048STB-UT | <input type="checkbox"/> BPT-3672STB-UT |
| <input type="checkbox"/> BPT-2460STB-UT | <input type="checkbox"/> BPT-3060STB-UT | <input type="checkbox"/> BPT-3684STB-UT |
| <input type="checkbox"/> BPT-2472STB-UT | <input type="checkbox"/> BPT-3072STB-UT | <input type="checkbox"/> BPT-3696STB-UT |
| <input type="checkbox"/> BPT-2484STB-UT | <input type="checkbox"/> BPT-3084STB-UT | |
| <input type="checkbox"/> BPT-2496STB-UT | <input type="checkbox"/> BPT-3096STB-UT | |

Tabletop

- Top reinforced with welded-on hat channel.
- Sound-deadened between top and channels.
- 1½" (38mm) 90° rear upturn with radius at intersection.
- 1½" (41mm)-diameter 180° rolled edge on front. Ends are turned down 90° providing for flush installations when required.
- Heavy gauge type 430 polished stainless steel.

Crossbracing—1¼" (32mm)-diameter

- Heavy gauge stainless steel.
- Aluminum castings join crossbraces, legs and rear brace.

Legs—1½" (41mm)-diameter

- Units 96" to 120" (2438 to 3048mm) long come with six legs; Units 132" and 144" (3353 and 3658mm) come with eight legs.
- Patented uni-lok® gusset system (patent # 5,165,349): gussets are recessed into hat channel, reducing lateral movement.
- Heavy gauge stainless steel.
- Galvanized gussets.
- 1" (25mm) adjustable stainless steel feet.

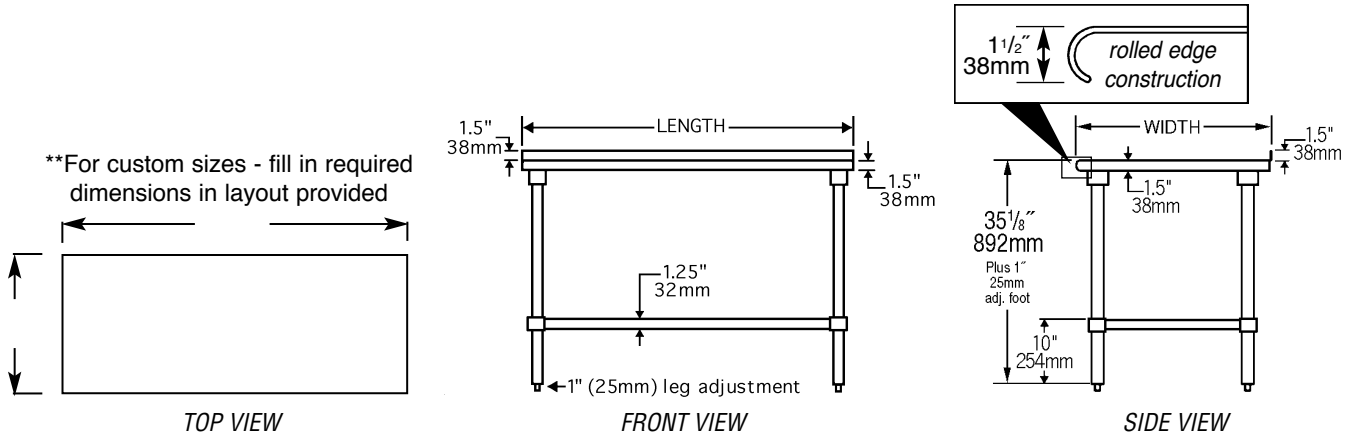
Options / Accessories

- | | |
|--|--|
| <input type="checkbox"/> Drawer | <input type="checkbox"/> Duplex receptacles |
| <input type="checkbox"/> Lock | <input type="checkbox"/> Pot rack |
| <input type="checkbox"/> Casters | <input type="checkbox"/> Sink |
| <input type="checkbox"/> Stainless steel bullet feet | <input type="checkbox"/> Additional undershelf |
| <input type="checkbox"/> Overshelves | <input type="checkbox"/> Stabilizer Bar (for 30"- and 36"-wide tables) |



Item No.:	
Project No.:	
S.I.S. No.:	

Worktables with Rear Uprturn and Stainless Steel Tubular Base —Budget Series



model #	# of legs	width		length		weight	
		in.	mm	in.	mm	lbs.	kg
<i>BPT-2424STB-UT</i>	4	24"	610	24"	610	40	18.1
<i>BPT-2430STB-UT</i>	4	24"	610	30"	762	45	20.4
<i>BPT-2436STB-UT</i>	4	24"	610	36"	914	50	22.7
<i>BPT-2448STB-UT</i>	4	24"	610	48"	1219	60	27.2
<i>BPT-2460STB-UT</i>	4	24"	610	60"	1524	70	31.8
<i>BPT-2472STB-UT</i>	4	24"	610	72"	1829	80	36.3
<i>BPT-2484STB-UT</i>	4	24"	610	84"	2134	90	40.8
<i>BPT-2496STB-UT</i>	6	24"	610	96"	2438	100	45.4
<i>BPT-3024STB-UT</i>	4	30"	762	24"	610	45	20.4
<i>BPT-3030STB-UT</i>	4	30"	762	30"	762	50	22.7
<i>BPT-3036STB-UT</i>	4	30"	762	36"	914	53	24.0
<i>BPT-3048STB-UT</i>	4	30"	762	48"	1219	57	25.9
<i>BPT-3060STB-UT</i>	4	30"	762	60"	1524	67	30.4
<i>BPT-3072STB-UT</i>	4	30"	762	72"	1829	77	34.9
<i>BPT-3084STB-UT</i>	4	30"	762	84"	2134	87	39.5
<i>BPT-3096STB-UT</i>	6	30"	762	96"	2438	97	44.0
<i>BPT-3636STB-UT</i>	4	36"	914	36"	914	60	27.2
<i>BPT-3648STB-UT</i>	4	36"	914	48"	1219	61	27.7
<i>BPT-3660STB-UT</i>	4	36"	914	60"	1524	72	32.7
<i>BPT-3672STB-UT</i>	4	36"	914	72"	1829	85	38.6
<i>BPT-3684STB-UT</i>	4	36"	914	84"	2134	97	44.0
<i>BPT-3696STB-UT</i>	6	36"	914	96"	2438	109	49.4