

Project _____

Item Number _____

Quantity _____

BSBL



Models:

- BSBL78
- BSBL105

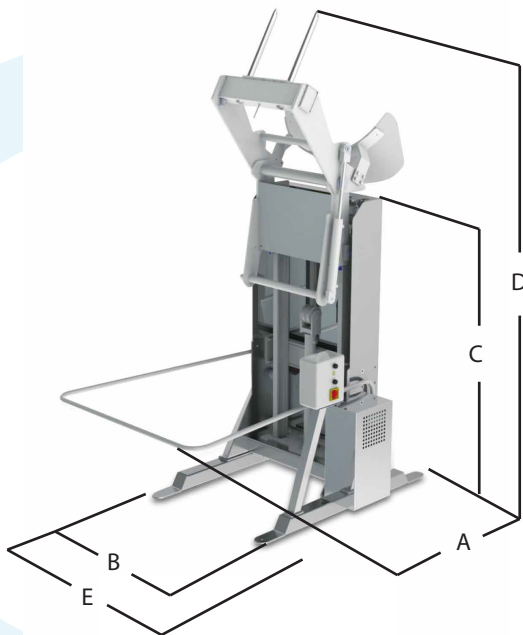
Features:

- simple reliable service
- easy controls, single button operation
- built in safety guard
- powerful single hydraulic piston provides the lifting power while two perfectly balances pistons provide the tipping motion

Bowl Lifter

Motor:

3HP 400V/50Hz/3ph



Model	A	B	C	D	E	Weight
BSBL 78	85.8" 2180mm	59" 1500mm	78" 2050mm	131.1" 3330mm	52.4" 1500mm	1,410lbs 640kg
BSBL 105	85.8" 2180mm	59" 1500mm	105" 2750mm	158.7" 4030mm	52.4" 1500mm	1,455lbs 660kg

- Note: please allow 6 inches beyond posted dimensions for complete clearance.

Warranty:

- One year, on-site parts and labor

Univex Corporation