



Profit from the Eagle Advantage®

Specification Sheet

Short Form Specifications

Eagle Boning Table, model _____. Heavy duty stainless steel construction with all-welded 1½" square stainless steel tubular frame. 4" removable backplash; 6" stainless steel deck, removable for cleaning; and ½" thick removable polymer top. 1½" O.D. stainless steel tubular legs with stainless steel crossbracing and adjustable bullet feet.



boning table

Options / Accessories

- Casters
- Stainless steel bullet feet
- Undershelf *
- All-welded construction **
- Boat rack
- Drawer assemblies*** / Drawer support angles ***

* For optional stainless steel undershelf, add suffix "-US". Example: BT3072S-US

** For optional all-welded construction, add suffix "-AW". Example: BT2436S-AW

*** See spec sheet #EG10.13 for Drawer Assemblies available.

For optional Drawer Assemblies, Drawer Support Angles are required:

- For 24"-wide tables with backplash, order model #609541 drawer supports.
- For 30"-wide tables with backplash, order model #609539 drawer supports.
- For 36"-wide tables with backplash, order model #609543 drawer supports.

EAGLE GROUP

100 Industrial Boulevard, Clayton, DE 19938-8903 USA

Phone: 302-653-3000 • Fax: 302-653-2065

www.eaglegrp.com

Foodservice Division: Phone 800-441-8440

MHC/Retail Display Divisions: Phone 800-637-5100

For custom configuration or fabrication needs, contact our SpecFAB® Division.

Phone: 302-653-3000 • Fax: 302-653-2065 • e-mail: quotes@eaglegrp.com

Item No.: _____
 Project No.: _____
 S.I.S. No.: _____

Boning Tables

MODELS:

- | | | |
|-----------------------------------|-----------------------------------|-----------------------------------|
| <input type="checkbox"/> BT2436S | <input type="checkbox"/> BT3036S | <input type="checkbox"/> BT3636S |
| <input type="checkbox"/> BT2448S | <input type="checkbox"/> BT3048S | <input type="checkbox"/> BT3648S |
| <input type="checkbox"/> BT2460S | <input type="checkbox"/> BT3060S | <input type="checkbox"/> BT3660S |
| <input type="checkbox"/> BT2472S | <input type="checkbox"/> BT3072S | <input type="checkbox"/> BT3672S |
| <input type="checkbox"/> BT2484S | <input type="checkbox"/> BT3084S | <input type="checkbox"/> BT3684S |
| <input type="checkbox"/> BT2496S | <input type="checkbox"/> BT3096S | <input type="checkbox"/> BT3696S |
| <input type="checkbox"/> BT24108S | <input type="checkbox"/> BT30108S | <input type="checkbox"/> BT36108S |
| <input type="checkbox"/> BT24120S | <input type="checkbox"/> BT30120S | <input type="checkbox"/> BT36120S |

Tabletop

- 4" (102mm) removable backplash.
- 6" (152mm) removable stainless steel deck.
- ½" (13mm)-thick removable poly top.
- 1½" (38mm) square stainless steel tubular frame.
- Tabs, along perimeter of tabletop frame, lock poly top in place and are virtually self-cleaning.

Crossbracing

- 16 gauge stainless steel.
- 1¼" (32mm)-diameter.
- Adjustable.
- Runs left-to-right at rear and front-to-back at both ends.

Legs

- 16 gauge stainless steel.
- 1½" (41mm)-diameter.
- Adjustable metal feet.

Certifications / Approvals



AUTOQUOTES



EG10.07 Rev. 03/14

Spec sheets available for viewing, printing or downloading from our online literature library at www.eaglegrp.com

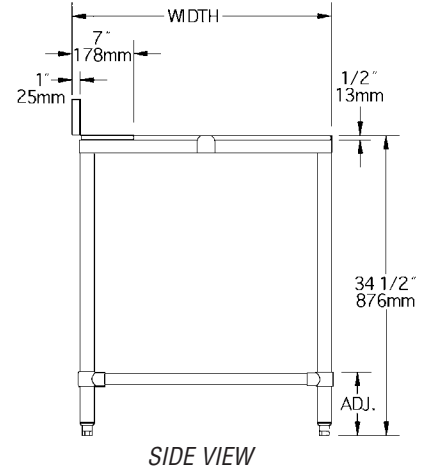
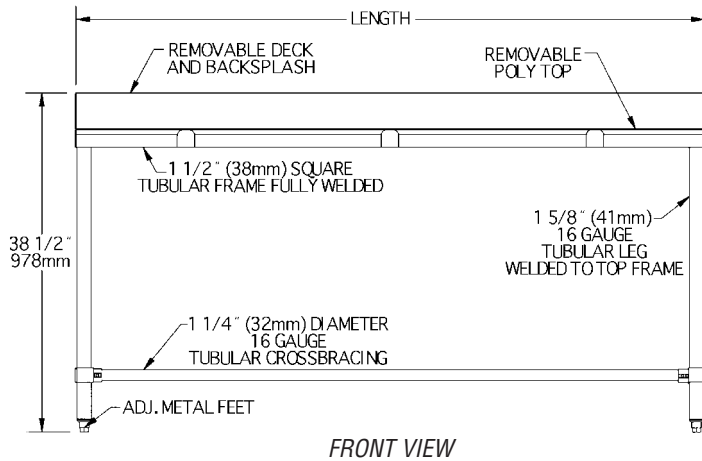
Eagle Foodservice Equipment, Eagle MHC, SpecFAB®, and Retail Display are divisions of Eagle Group. ©2014 by the Eagle Group



Profit from the Eagle Advantage®

Item No.: _____
 Project No.: _____
 S.I.S. No.: _____

Boning Tables



| model # | number of polyboards per table | width | | length | | weight | |
|----------|--------------------------------|-------|-----|--------|------|--------|-------|
| | | in. | mm | in. | mm | lbs. | kg |
| BT2436S | 1 | 24" | 610 | 36" | 914 | 110 | 49.9 |
| BT2448S | 2 | 24" | 610 | 48" | 1219 | 132 | 59.9 |
| BT2460S | 2 | 24" | 610 | 60" | 1524 | 135 | 61.2 |
| BT2472S | 2 | 24" | 610 | 72" | 1829 | 160 | 72.6 |
| BT2484S | 3 | 24" | 610 | 84" | 2134 | 180 | 81.6 |
| BT2496S | 3 | 24" | 610 | 96" | 2438 | 215 | 97.5 |
| BT24108S | 3 | 24" | 610 | 108" | 2743 | 225 | 102.1 |
| BT24120S | 4 | 24" | 610 | 120" | 3048 | 245 | 111.1 |
| BT3036S | 1 | 30" | 762 | 36" | 914 | 115 | 52.2 |
| BT3048S | 2 | 30" | 762 | 48" | 1219 | 138 | 62.6 |
| BT3060S | 2 | 30" | 762 | 60" | 1524 | 140 | 63.5 |
| BT3072S | 2 | 30" | 762 | 72" | 1829 | 165 | 74.8 |
| BT3084S | 3 | 30" | 762 | 84" | 2134 | 185 | 83.9 |
| BT3096S | 3 | 30" | 762 | 96" | 2438 | 220 | 99.8 |
| BT30108S | 3 | 30" | 762 | 108" | 2743 | 230 | 104.3 |
| BT30120S | 4 | 30" | 762 | 120" | 3048 | 250 | 113.4 |
| BT3636S | 1 | 36" | 914 | 36" | 914 | 120 | 54.4 |
| BT3648S | 2 | 36" | 914 | 48" | 1219 | 143 | 64.9 |
| BT3660S | 2 | 36" | 914 | 60" | 1524 | 145 | 65.8 |
| BT3672S | 2 | 36" | 914 | 72" | 1829 | 170 | 77.1 |
| BT3684S | 3 | 36" | 914 | 84" | 2134 | 190 | 86.2 |
| BT3696S | 3 | 36" | 914 | 96" | 2438 | 225 | 102.1 |
| BT36108S | 3 | 36" | 914 | 108" | 2743 | 235 | 106.6 |
| BT36120S | 4 | 36" | 914 | 120" | 3048 | 255 | 115.7 |

EAGLE GROUP
 100 Industrial Boulevard, Clayton, DE 19938-8903 USA
 Phone: 302-653-3000 • Fax: 302-653-2065
 www.eaglegrp.com

Foodservice Division: Phone 800-441-8440
 MHC/Retail Display Divisions: Phone 800-637-5100

Printed in U.S.A.
 ©2014 by Eagle Group

Rev. 03/14

Spec sheets available for viewing, printing or downloading from our online literature library at www.eaglegrp.com

Although every attempt has been made to ensure the accuracy of the information provided, we cannot be held responsible for typographical or printing errors. Information and specifications are subject to change without notice. Please confirm at time of order.