



# "BT3S" Maple Top Work Tables

w/ 1 3/4" thick Hard Rock Maple Top  
 w/ 3- Drawer Tier Unit  
 w/ Stainless Steel Base



AUTOQUOTES



1-3/4" Maple Top w/ 4" Coved Riser Back & Both	
30" WIDE	Qty
BT3S01	
BT3S02	
BT3S03	
BT3S03A	
BT3S04	

**FEATURES:**

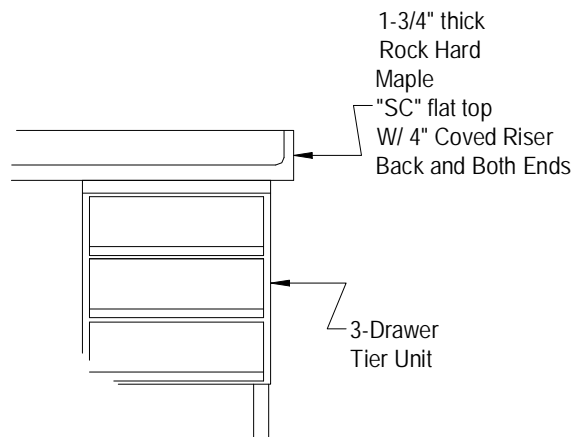
- \* 1 3/4" Thick Hard Rock Maple Top top style "SC" flat top w/ 4" Coved Riser Back and Both Ends
- \* Maple top is finished with penetrating oil with optional natural clear Varnique Finish
- \* Stainless Steel Base and Bracing Type 300 stainless steel with # 4 polish, satin finish
- \* Adjustable bullet feet
- \* Shipped Standard K.D.
- \* Optional drawers, casters, pot racks, etc. available
- \* All models are approved by the National Sanitation Foundation

**CONSTRUCTION:**

Base: Stainless Steel Bases are TIG welded, Exposed welds are polished to match adjacent surface.

**MATERIAL:**

- Top: Laminated Hard Rock Maple
- Drawer Panels - 22 gauge
- Unit: Front Drawer Pulls - 14 gauge Reinforced with 1-1/2" Square O.D. tubing  
 \*All type 300 stainless steel. # 4 polish, satin finish
- Bracing: 1 1/4" Round O.D. 18 gauge type 300 tubular stainless steel # 4 polish, satin finish
- Legs: 1 5/8" Round O.D., 16 gauge type 300 tubular stainless steel # 4 polish, satin finish
- Gussets: Stainless Steel
- Feet: 1" adjustable stainless steel bullet feet



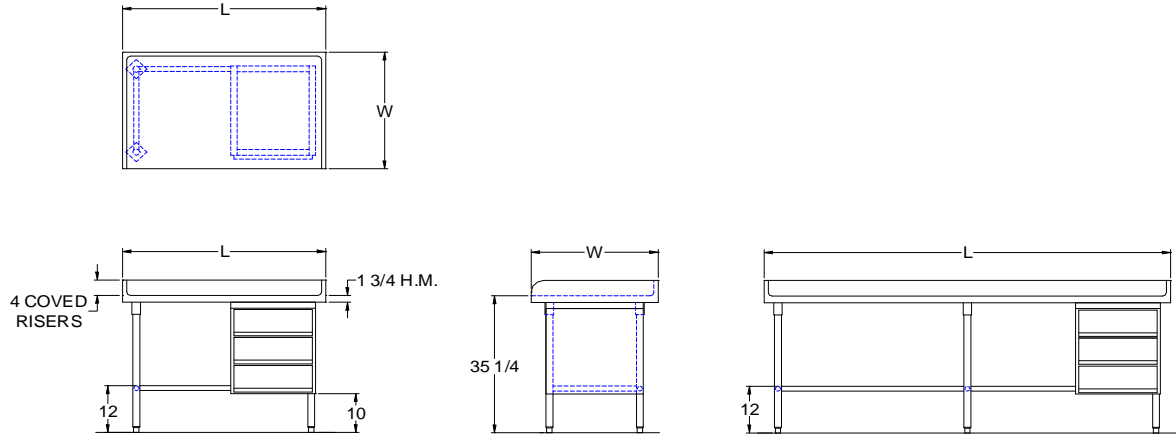
**OPTIONAL ACCESSORIES**

	MODEL #	Qty
DRAWER LOCK		
CASTERS		
OVERSHELVES		
POT RACK		
VERTICAL COVER CORNER		

**John Boos & Co**

3601 S. Banker Street - Effingham, IL 62401  
 Phone: 217-347-7701 - Fax: 217-347-7705  
 Email: sales@johnboos.com - Web-site: www. johnboos.com

## DETAILED SPECIFICATIONS



Shipped Knocked Down  
 Units 7 ft. and larger are furnished with six legs.  
 All dimensions are typical.  
 Tolerance +/- .500".

### 1-3/4" Flat Top w/ 4" Coved Riser Back & Both Ends

48	BT3S01	165
60	BT3S02	190
72	BT3S03	215
84	BT3S03A	241
96	BT3S04	267

### John Boos & Co

3601 S. Banker Str - Effingham, IL 62401 Phone: 217-347-7701 - Fax: 217-347-7705

Email: sales@johnboos.com - Web-site: www.johnboos.com



July 2013

**John Boos** is constantly engaged in a program of improving products and therefore reserves the right to change specification without prior notice